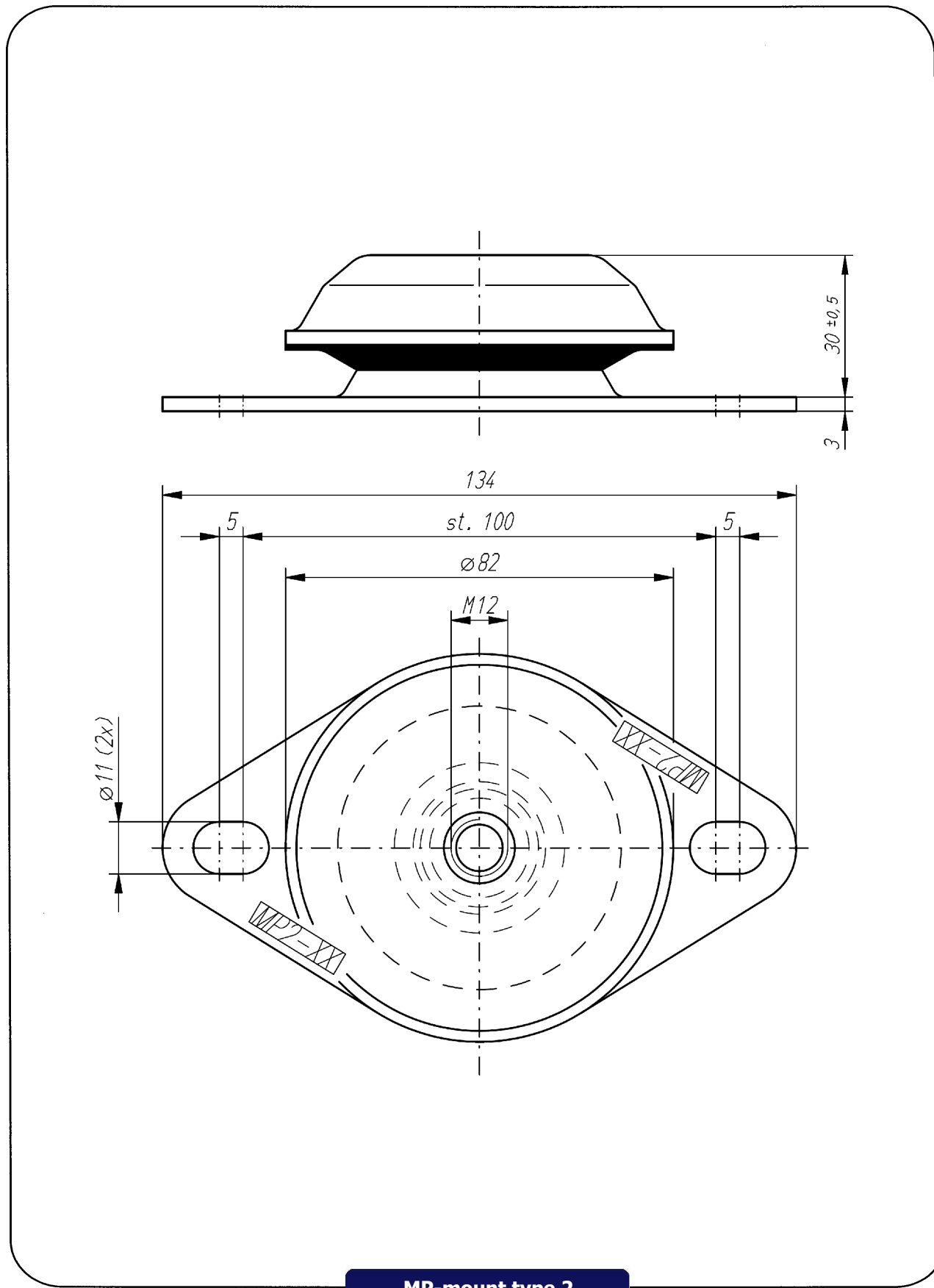
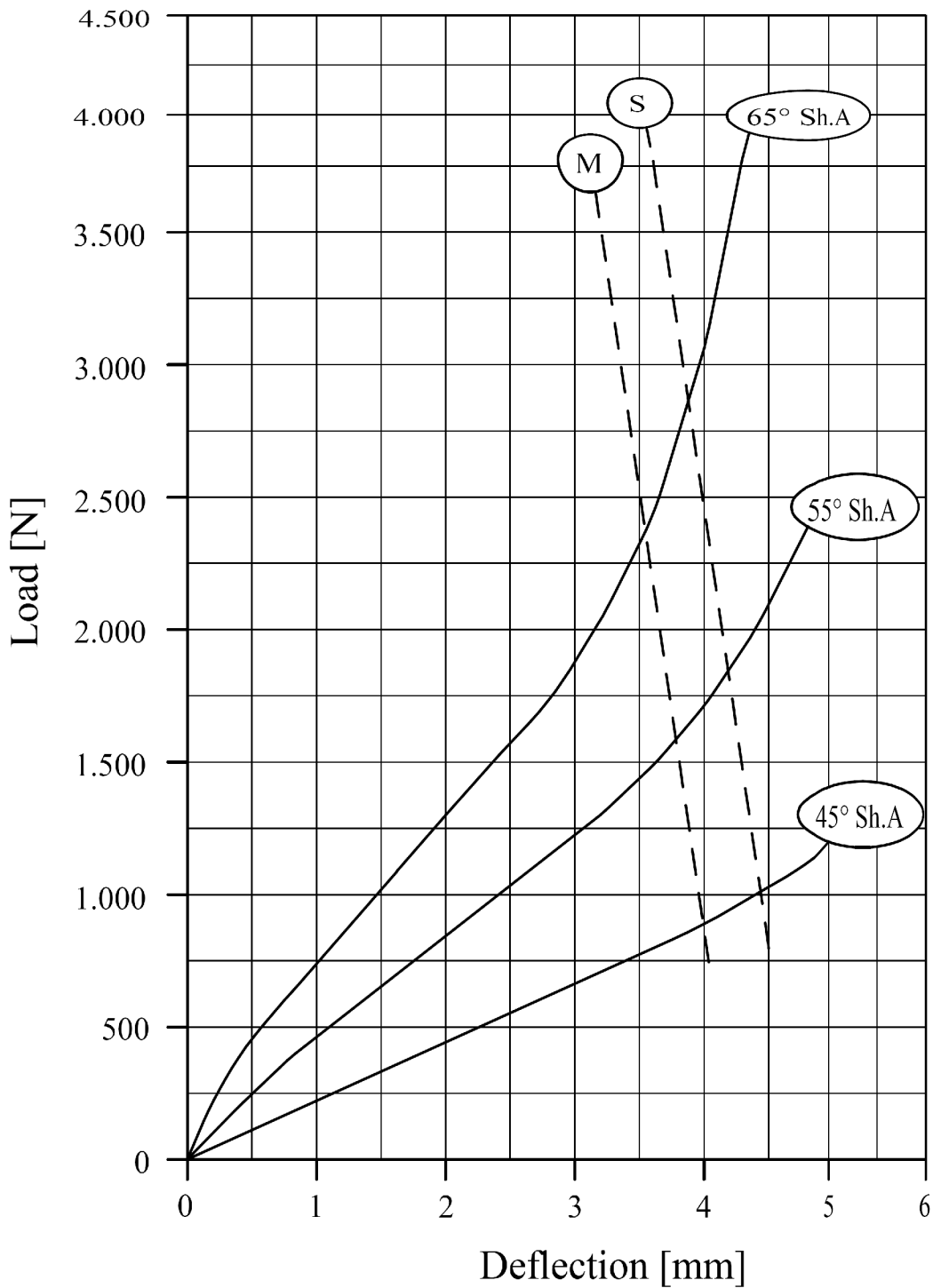


MP-mount type 2



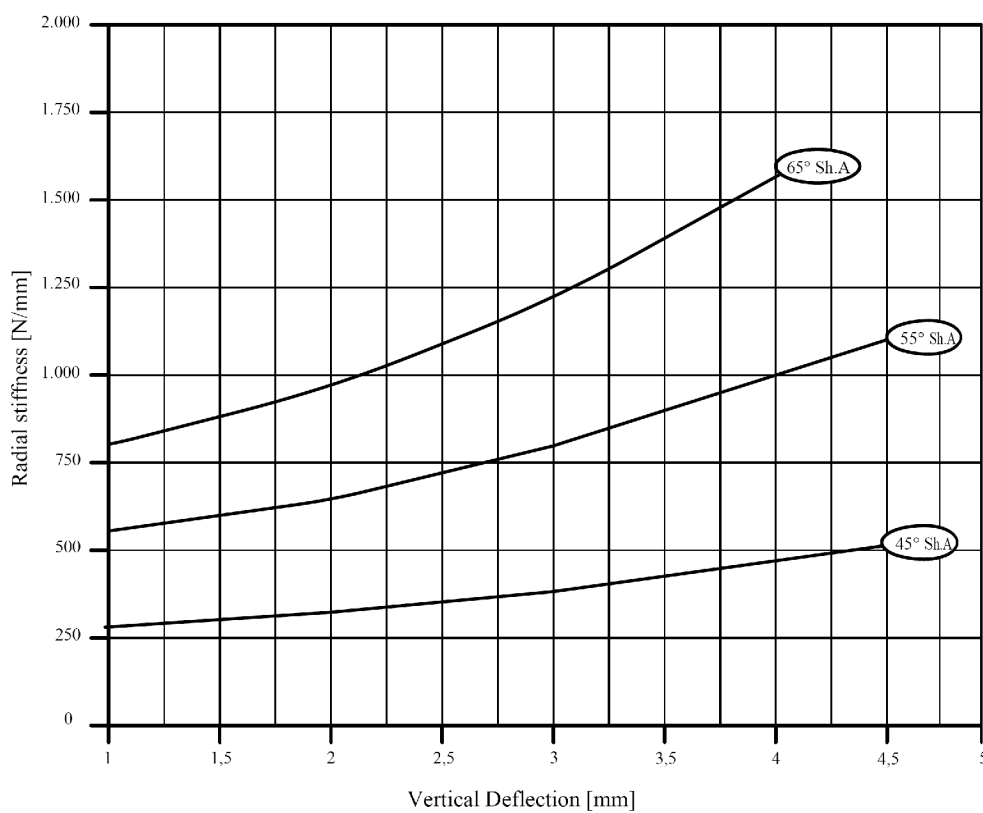
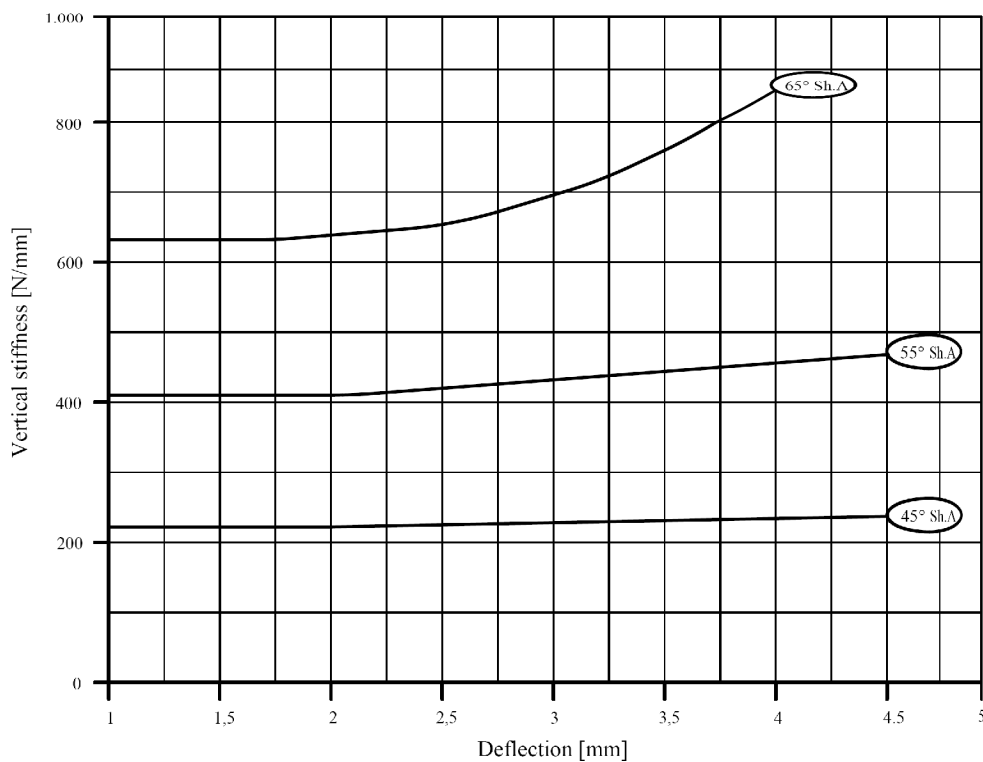
MP-mount type 2

MP-mount type 2

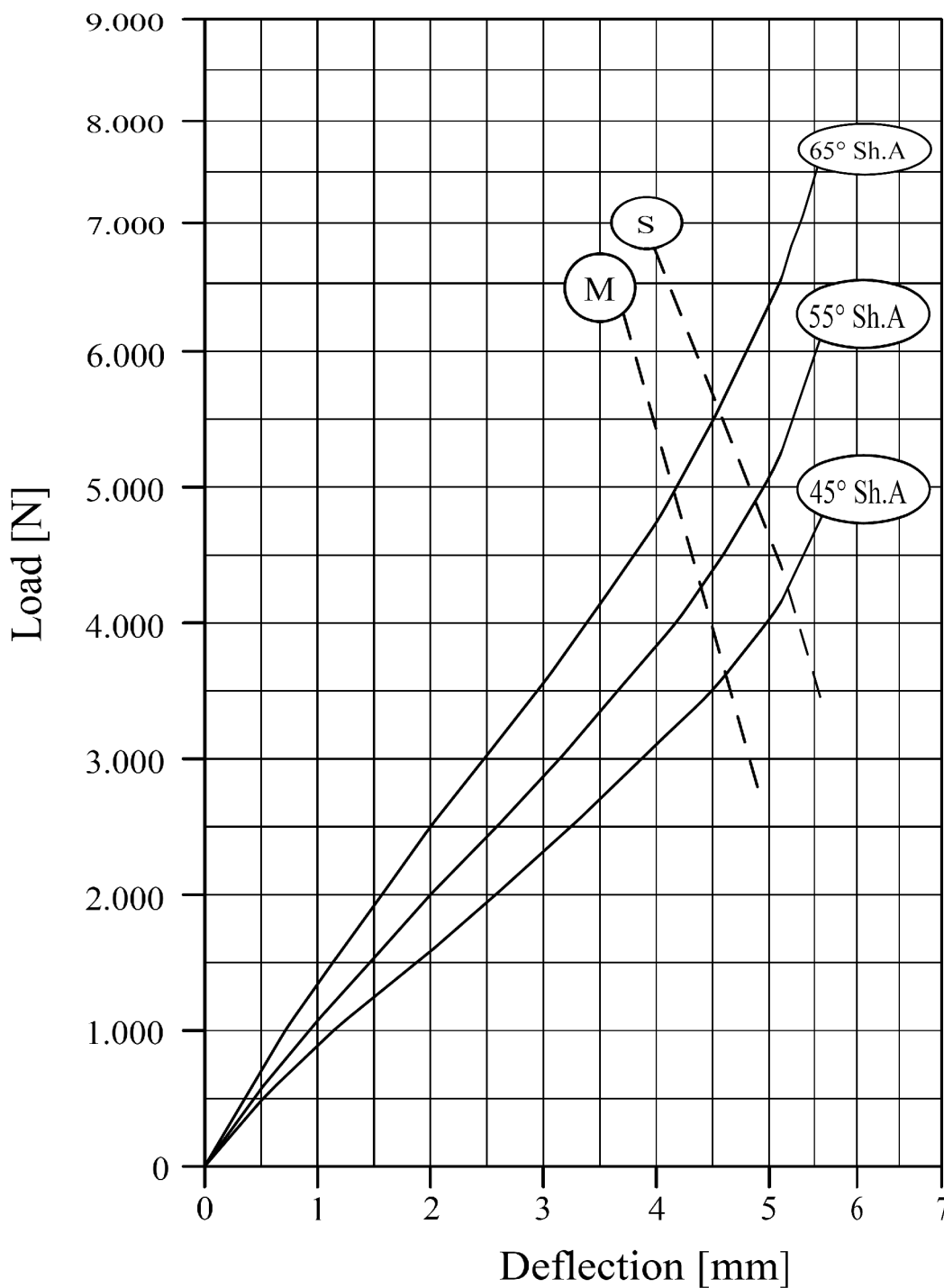


Load Deflection Curve

MP-mount type 2

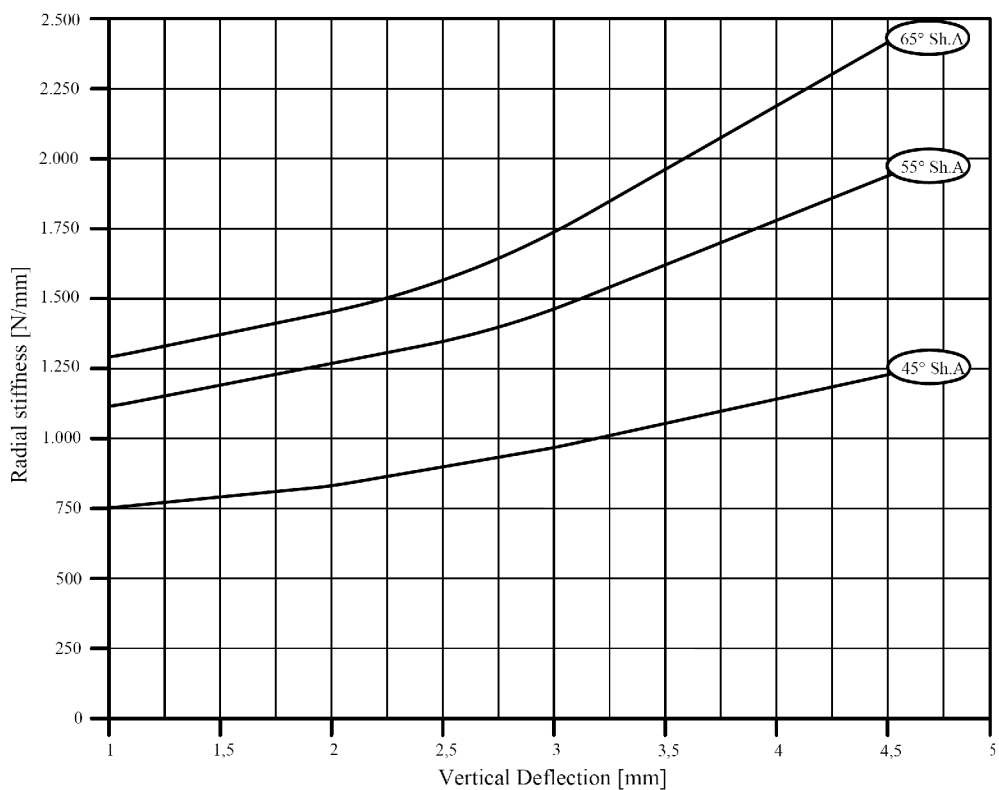
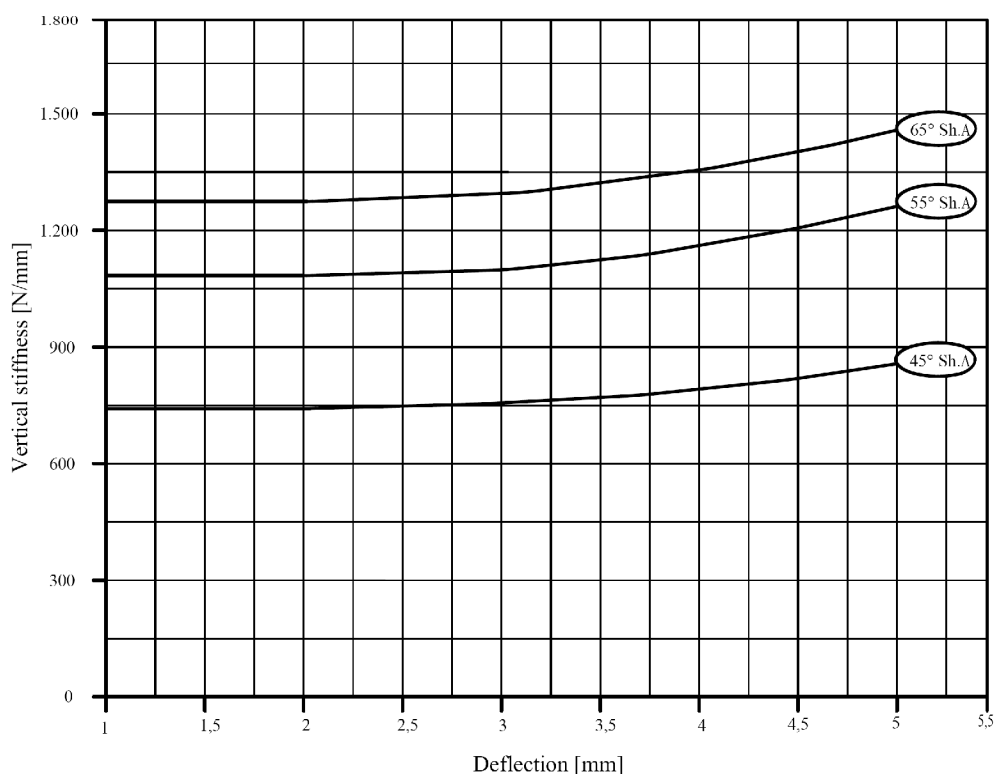


MP-mount type 3

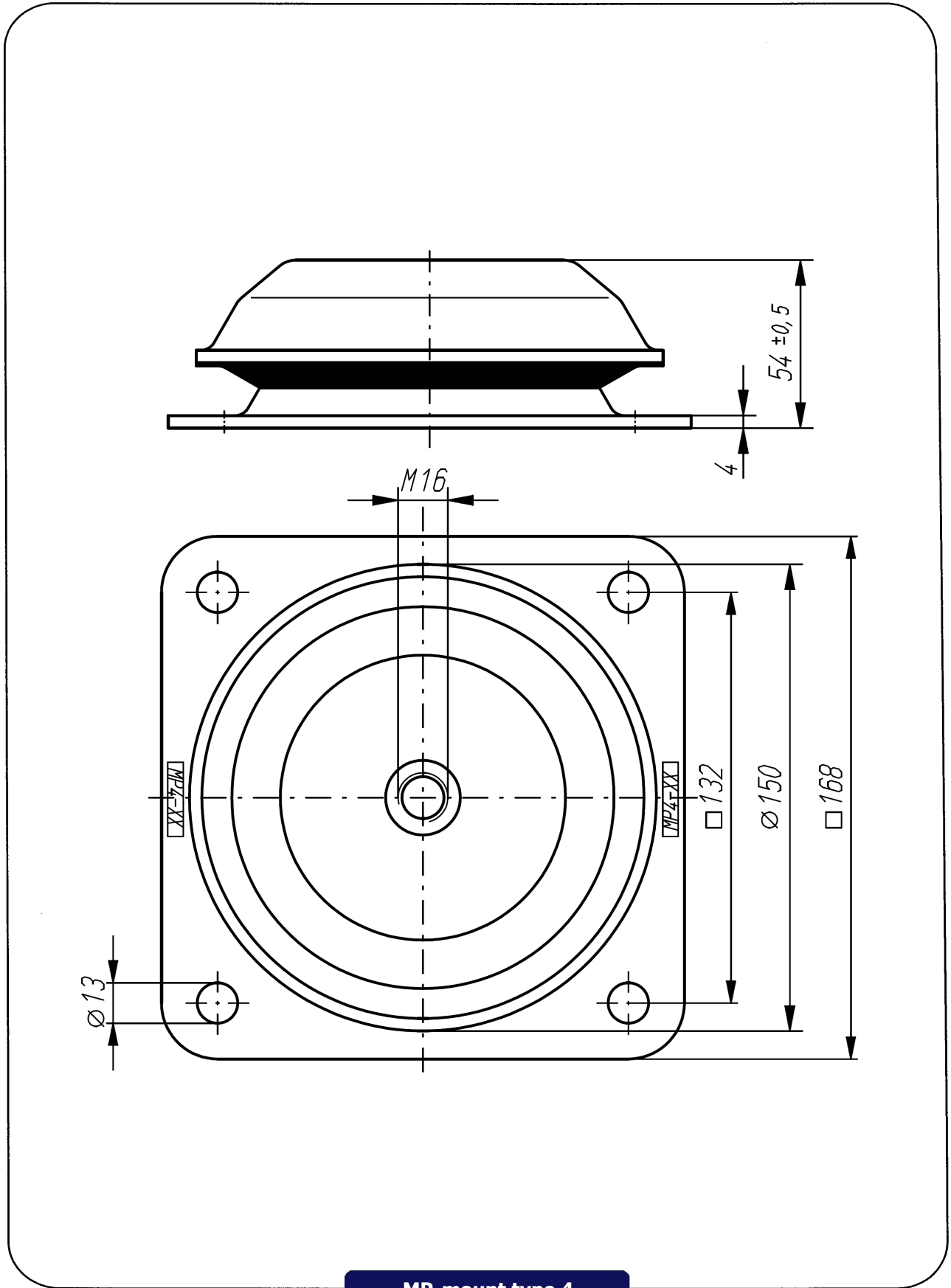


Load Deflection Curve

MP-mount type 3

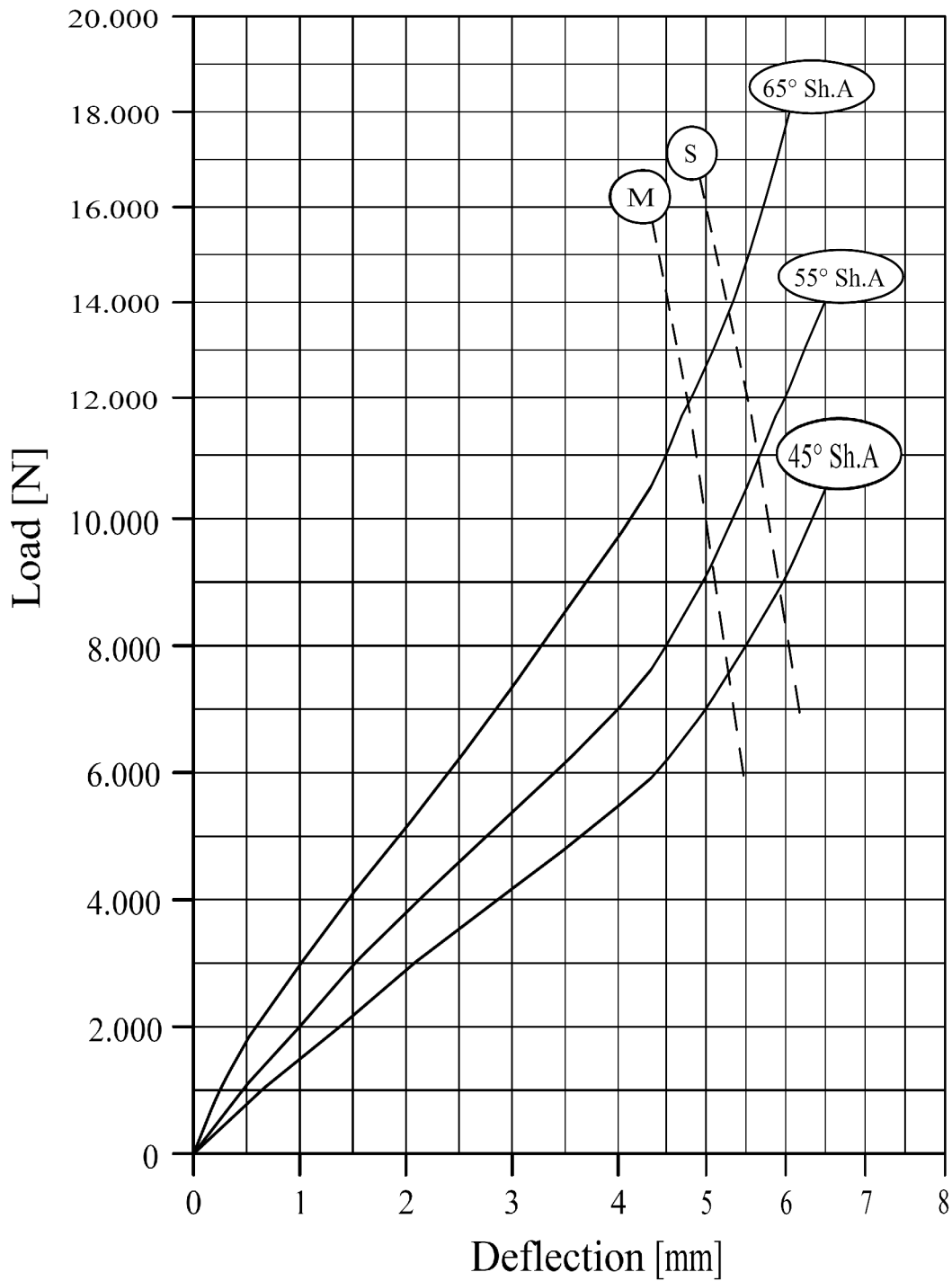


MP-mount type 4



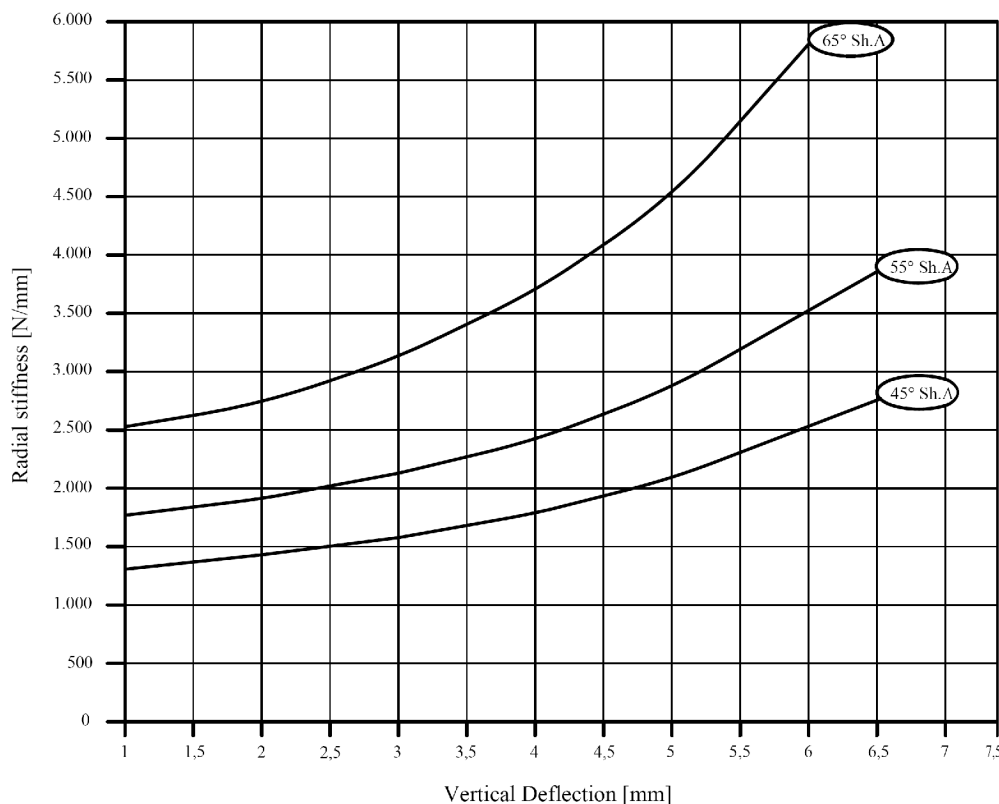
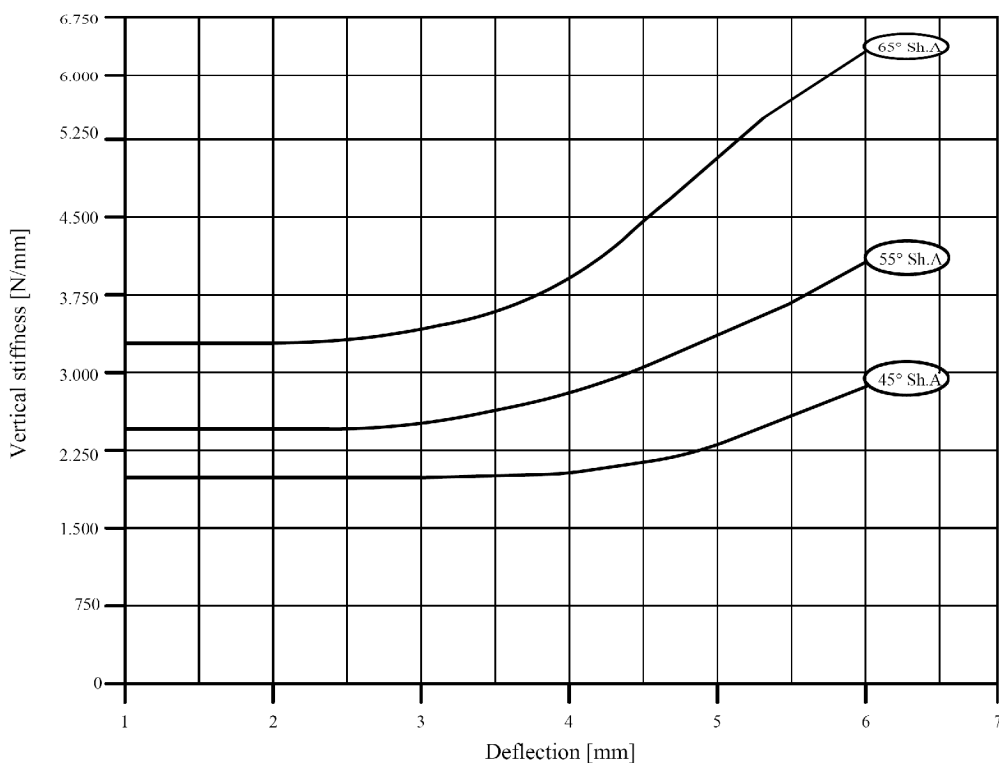
MP-mount type 4

MP-mount type 4

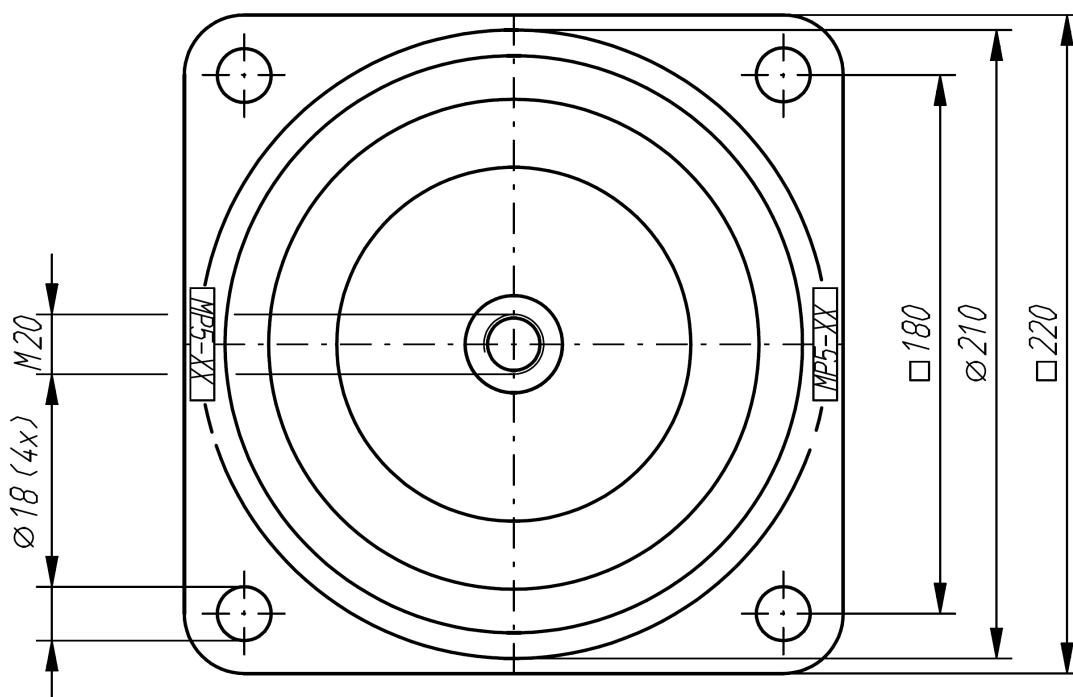
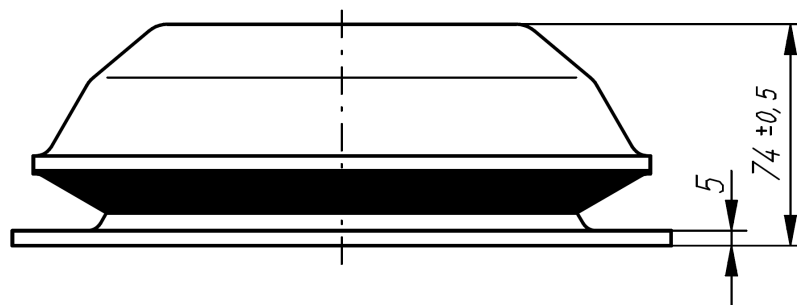


Load Deflection Curve

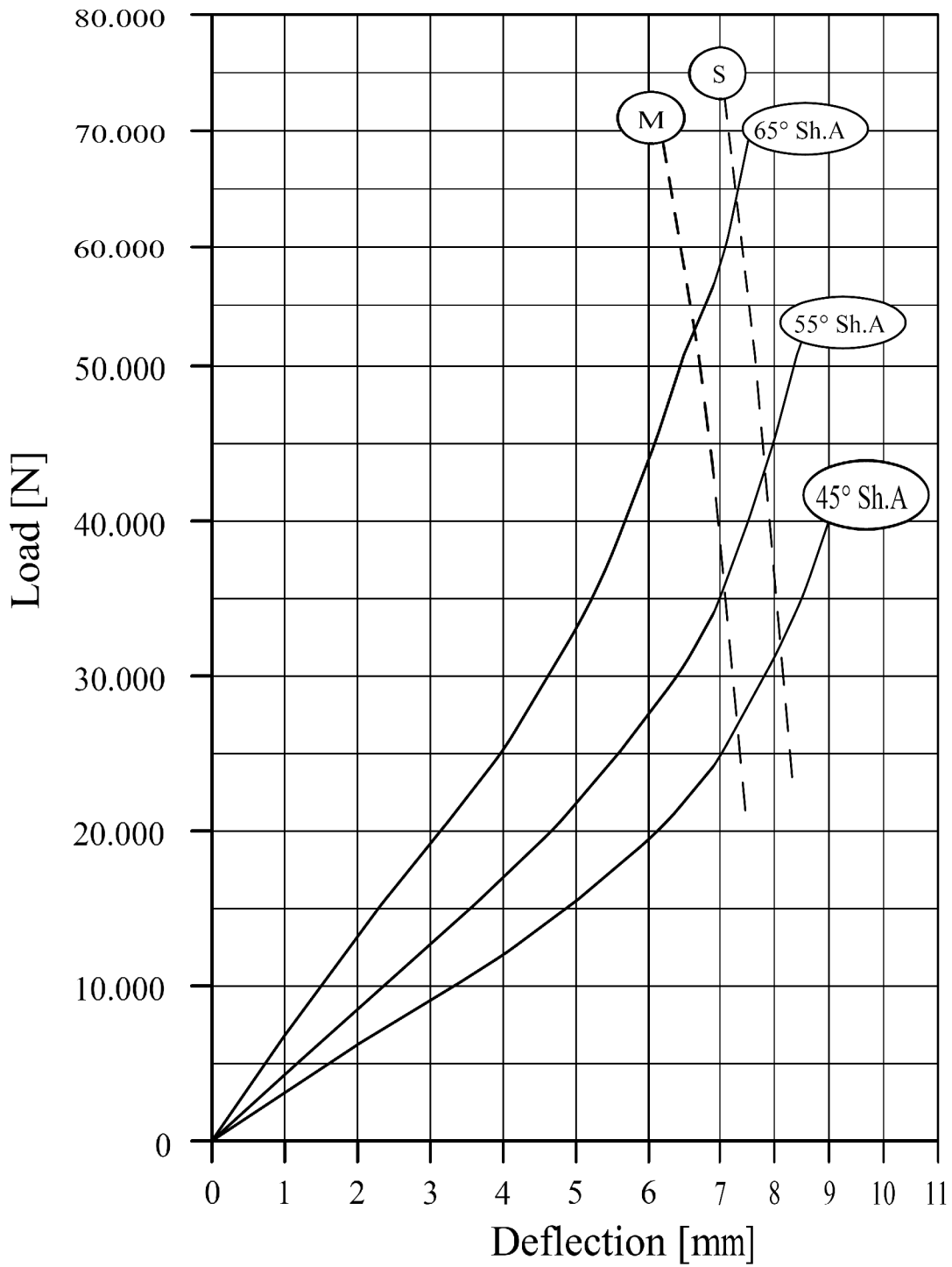
MP-mount type 4



MP-mount type 5



MP-mount type 5



Load Deflection Curve

MP-mount type 5

