

## Table of content

### Cable mountings

1.1	Series A01	Page 2
1.2	Series A02	Page 3
1.3	Series A03	Page 4
1.4	Series A04	Page 5
1.5	Series A05	Page 6
1.6	Series A06	Page 7
1.7	Series A08	Page 8
1.8	Series A10	Page 9
1.9	Series A13	Page 10
1.10	Series A16	Page 11
1.11	Series A22	Page 12

## 1.1 SERIES A01

### RD CABLE MOUNTINGS

**Combined all-metal multidirectional anti-vibration and antishock mountings.**

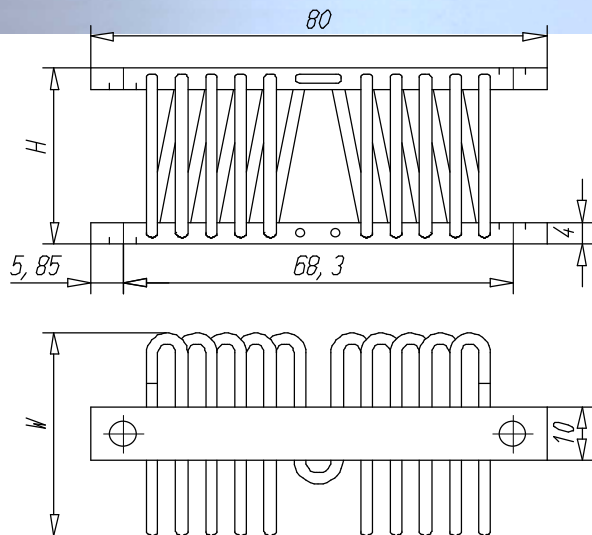
- No aging
- Corrosion resistant
- Highly inherent damping
- Very low amplification at resonance
- Severe shock attenuation
- Wide temperature range (-180°C to +300)
- Maintenance free

**Typical applications:**

- Resilient Suspensions meeting Military Standards
- Isolation of Sensitive Electronic Equipment
- Isolation of Generators, Pumps and Compressors
- Exhaust System suspension
- Isolation of Cabinets, Containers etc.
- Protection of Equipment during Transport
- Extreme Temperature Application



**Standard materials** (other qualities on request)  
 Wire rope and threaded inserts: Steel AISI 316  
 Bars: Aluminium 6060-T6  
 Finish: Chromated



**Load mode: Compression**

Typical load range: 1.5 – 5 kg

Cable mounting type number	Rated load at 10 Hz (kg)	Max. static load (kg)	Max. dyn. Travel (mm)
A015080-033	2.2	2.3	22
A015080-030	2.7	2.7	19
A015080-025	3.6 (12 Hz)	3.6	15
A015080-020	4.0 (14 Hz)	4.2	10
A015080-018	5.3 (15 Hz)	5.3	9

**Load mode: 45° Compression/roll**

Typical load range: 1 – 3.5 kg

Cable mounting type number	Rated load at 10 Hz (kg)	Max. static load (kg)	Max. dyn. Travel (mm)
A015080-033	1.4	1.7	31
A015080-030	1.7	1.9	27
A015080-025	2.6	2.6	21
A015080-020	3.0 (12 Hz)	3.0	15
A015080-018	3.7 (13 Hz)	3.7	12

**Load mode: Shear and roll**

Typical load range: 0.25 – 1.5 kg

Cable mounting type number	Rated load at 12 Hz (kg)	Max. static load (kg)	Max. dyn. Travel (mm)
A015080-033	0.35	1.0	23
A015080-030	0.45	1.2	20
A015080-025	0.75	1.5	16
A015080-020	1.25	1.8	11
A015080-018	2.05	2.2	9

Fixture holes	Upper bar	Through holes 4.8 mm	Through holes countersunk	Inserts M4
	Lower bar			
Through holes 4.8 mm	II	IY	IM	
	IY	YY	YM	
Through holes countersunk	IM	YM	MM	

Each cable mount has six alternative configurations with regard to fixture holes (ref. table to the left). When ordering, make your choice and add the hole configuration code to the type number. **Example:** A015080-033-YY

The number of wire loops can be less than 10, f. inst. 4, 6 or 8, whereat the load range is correspondingly reduced.

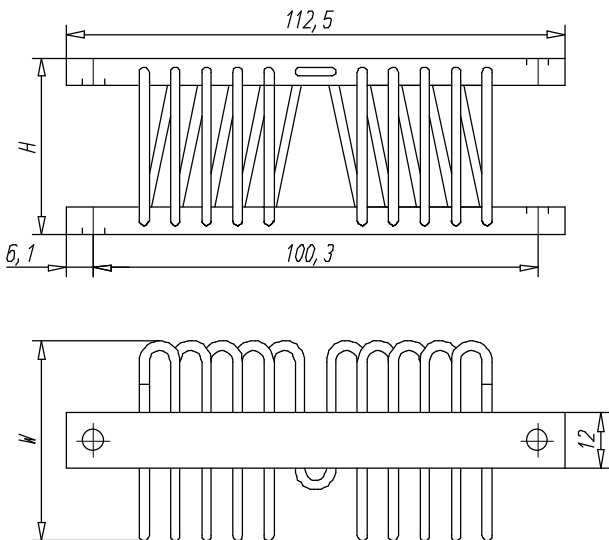
Cable mounting type number	Height (H) (mm)	Width (W) (mm)	Mass (kg)
A015080-033	33	38	0.025
A015080-030	30	35	0.025
A015080-025	25	30	0.02
A015080-020	20	28	0.02
A015080-018	18	25	0.02

## 1.2 SERIES A02

### RD CABLE MOUNTINGS

**Combined all-metal multidirectional anti-vibration and antishock mountings.**

- No aging
- Corrosion resistant
- Highly inherent damping
- Very low amplification at resonance
- Severe shock attenuation
- Wide temperature range (-180°C to +300)
- Maintenance free



Fixture holes	Upper bar		
	Through holes 5.5 mm	Through holes countersunk	Inserts M5
Lower bar			
Through holes 5.5 mm	II	IY	IM
Through holes countersunk	IY	YY	YM
Inserts M5	IM	YM	MM

Each cable mount has six alternative configurations with regard to fixture holes (ref. table to the left). When ordering, make your choice and add the code to the type number. **Example:** A015080-033-YY

**Typical applications:**

- Resilient Suspensions meeting Military Standards
- Isolation of Sensitive Electronic Equipment
- Isolation of Generators, Pumps and Compressors
- Exhaust System suspension
- Isolation of Cabinets, Containers etc.
- Protection of Equipment during Transport
- Extreme Temperature Application

Load mode: **Compression**  
 Typical load range: 4 – 12 kg

Cable mounting type number	Rated load at 10 Hz (kg)	Max. static load (kg)	Max. dyn. Travel (mm)
A025112-038	5.6	6.0	23
A025112-033	8.3	8.3	18
A025112-028	10.9 (14 Hz)	10.9	14
A025112-025	12.5 (14 Hz)	12.5	11
A025112-023	13.8 (15 Hz)	13.8	9

Load mode: **45° Compression/roll**  
 Typical load range: 3 – 10 kg

Cable mounting type number	Rated load at 10 Hz (kg)	Max. static load (kg)	Max. dyn. Travel (mm)
A025112-038	3.4	4.3	32
A025112-033	4.8	5.4	26
A025112-028	7.3	7.3	19
A025112-025	8.8 (11 Hz)	8.8	16
A025112-023	10.3 (12 Hz)	10.3	13

Load mode: **Shear and roll**  
 Typical load range: 0.6 – 4 kg

Cable mounting type number	Rated load at 12 Hz (kg)	Max. static load (kg)	Max. dyn. Travel (mm)
A025112-038	0.8	2.6	24
A025112-033	1.3	3.2	19
A025112-028	2.3	4.2	14
A025112-025	3.7	5.1	12
A025112-023	5.4	5.8	10

The number of wire loops can be less than 10, f. inst. 4, 6 or 8, whereat the load range is correspondingly reduced.

Cable mounting type number	Height (H) (mm)	Width (W) (mm)	Mass (kg)
A025112-038	38	43	0.07
A025112-033	33	38	0.06
A025112-028	28	33	0.06
A025112-025	25	30	0.055
A025112-023	23	28	0.055

## 1.3 SERIES A03

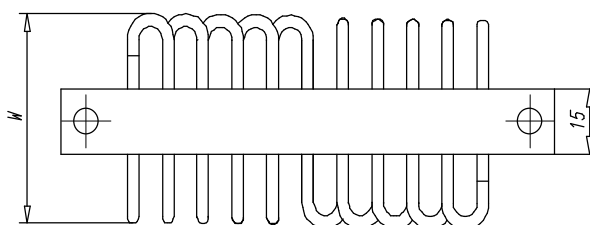
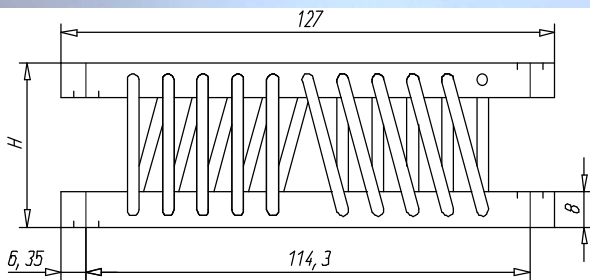
### RD CABLE MOUNTINGS

**Combined all-metal multidirectional anti-vibration and antishock mountings.**

- No aging
- Corrosion resistant
- Highly inherent damping
- Very low amplification at resonance
- Severe shock attenuation
- Wide temperature range (-180°C to +300)
- Maintenance free



**Standard materials** (other qualities on request)  
 Wire rope and threaded inserts: Steel AISI 316  
 Bars: Aluminium 6060-T6  
 Finish: Chromated



Fixture holes	Upper bar		
	Through holes 6.5 mm	Through holes countersunk	Inserts M6
Lower bar			
Through holes 6.5 mm	II	IY	IM
Through holes countersunk	IY	YY	YM
Inserts M6	IM	YM	MM

Each cable mount has six alternative configurations with regard to fixture holes (ref. table to the left). When ordering, make your choice and add the code to the type number. **Example:** A015080-033-YY

#### Typical applications:

- Resilient Suspensions meeting Military Standards
- Isolation of Sensitive Electronic Equipment
- Isolation of Generators, Pumps and Compressors
- Exhaust System suspension
- Isolation of Cabinets, Containers etc.
- Protection of Equipment during Transport
- Extreme Temperature Application

#### Load mode: **Compression**

Typical load range: 10 – 25 kg

Cable mounting type number	Rated load at 10 Hz (kg)	Max. static load (kg)	Max. dyn. Travel (mm)
A030127-044	12.5	13.5	24
A030127-041	14.5	15	22
A030127-038	17	17	19
A030127-033	20 (12 Hz)	20	14
A030127-028	25.5 (14 Hz)	25.5	10

#### Load mode: **45° Compression/roll**

Typical load range: 6 – 15 kg

Cable mounting type number	Rated load at 10 Hz (kg)	Max. static load (kg)	Max. dyn. Travel (mm)
A030127-044	7	9.5	34
A030127-041	8.5	10.5	31
A030127-038	10	11.5	27
A030127-033	14.5	14.5	20
A030127-028	17.5 (12 Hz)	17.5	14

#### Load mode: **Shear and roll**

Typical load range: 1.5 – 5 kg

Cable mounting type number	Rated load at 12 Hz (kg)	Max. static load (kg)	Max. dyn. Travel (mm)
A030127-044	2.0	6.0	26
A030127-041	2.3	6.5	23
A030127-038	2.7	7.0	20
A030127-033	4.4	8.5	15
A030127-028	8.8	10.5	10

The number of wire loops can be less than 10, f. inst. 4, 6 or 8, whereat the load range is correspondingly reduced.

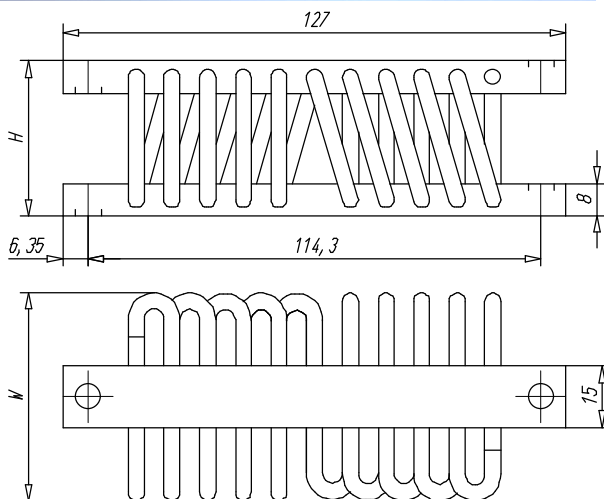
Cable mounting type number	Height (H) (mm)	Width (W) (mm)	Mass (kg)
A030127-044	44	52	0.12
A030127-041	41	49	0.12
A030127-038	38	47	0.12
A030127-033	32	42	0.11
A030127-028	28	37	0.11

## 1.4 SERIES A04

### RD CABLE MOUNTINGS

**Combined all-metal multidirectional anti-vibration and antishock mountings.**

- No aging
- Corrosion resistant
- Highly inherent damping
- Very low amplification at resonance
- Severe shock attenuation
- Wide temperature range (-180°C to +300)
- Maintenance free



Fixture holes	Upper bar		
	Through holes 6.5 mm	Through holes countersunk	Inserts M6
Through holes 6.5 mm	II	IY	IM
Through holes countersunk	IY	YY	YM
Inserts M6	IM	YM	MM

Each cable mount has six alternative configurations with regard to fixture holes (ref. table to the left). When ordering, make your choice and add the code to the type number. **Example:** A015080-033-YY

#### Typical applications:

- Resilient Suspensions meeting Military Standards
- Isolation of Sensitive Electronic Equipment
- Isolation of Generators, Pumps and Compressors
- Exhaust System suspension
- Isolation of Cabinets, Containers etc.
- Protection of Equipment during Transport
- Extreme Temperature Application

Load mode: **Compression**

Typical load range: 18 – 40 kg

Cable mounting type number	Rated load at 10 Hz (kg)	Max. static load (kg)	Max. dyn. Travel (mm)
A040127-045	22	24	25
A040127-042	26	27	23
A040127-037	36	36	18
A040127-034	39 (11 Hz)	39	15
A040127-031	44 (12 Hz)	44	13

Load mode: **45° Compression/roll**

Typical load range: 10 – 30 kg

Cable mounting type number	Rated load at 10 Hz (kg)	Max. static load (kg)	Max. dyn. Travel (mm)
A040127-045	13	17	36
A040127-042	15	19	32
A040127-037	21	23	25
A040127-034	25	26	22
A040127-031	31	31	18

Load mode: **Shear and roll**

Typical load range: 2.5 – 8 kg

Cable mounting type number	Rated load at 12 Hz (kg)	Max. static load (kg)	Max. dyn. Travel (mm)
A040127-045	3.5	10	26
A040127-042	4	11	24
A040127-037	6	14	19
A040127-034	8	15	16
A040127-031	10	17	13

The number of wire loops can be less than 10, f. inst. 4, 6 or 8, whereat the load range is correspondingly reduced.

Cable mounting type number	Height (H) (mm)	Width (W) (mm)	Mass (kg)
A040127-045	45	53	0.16
A040127-042	42	50	0.16
A040127-037	37	45	0.15
A040127-034	34	43	0.14
A040127-031	31	40	0.14

## 1.5 SERIES A05

### RD CABLE MOUNTINGS

**Combined all-metal multidirectional anti-vibration and antishock mountings.**

- No aging
- Corrosion resistant
- Highly inherent damping
- Very low amplification at resonance
- Severe shock attenuation
- Wide temperature range (-180°C to +300)
- Maintenance free

**Typical applications:**

- Resilient Suspensions meeting Military Standards
- Isolation of Sensitive Electronic Equipment
- Isolation of Generators, Pumps and Compressors
- Exhaust System suspension
- Isolation of Cabinets, Containers etc.
- Protection of Equipment during Transport
- Extreme Temperature Application



Load mode: **Compression**

Typical load range: 15 – 80 kg

Cable mounting type number	Rated load at 10 Hz (kg)	Max. static load (kg)	Max. dyn. Travel (mm)
A050127-057	20	26	32
A050127-051	36	42	27
A050127-044	56	56	21
A050127-039	70 (11 Hz)	70	16
A050127-034	84 (13 Hz)	84	12

Load mode: **45° Compression/roll**

Typical load range: 10 – 55 kg

Cable mounting type number	Rated load at 10 Hz (kg)	Max. static load (kg)	Max. dyn. Travel (mm)
A050127-057	12	18	46
A050127-051	21	30	38
A050127-044	33	39	29
A050127-039	45	47	23
A050127-034	59 (11 Hz)	59	17

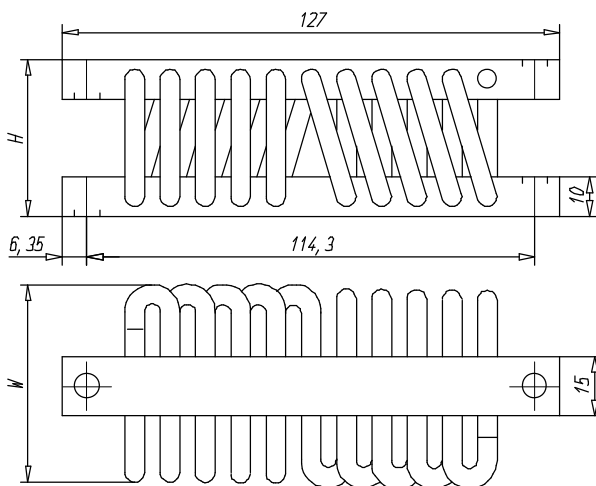
Load mode: **Shear and roll**

Typical load range: 2 – 15 kg

Cable mounting type number	Rated load at 12 Hz (kg)	Max. static load (kg)	Max. dyn. Travel (mm)
A050127-057	3	11	34
A050127-051	6	18	28
A050127-044	9	23	22
A050127-039	14	28	17
A050127-034	23	35	12

The number of wire loops can be less than 10, f. inst. 4, 6 or 8, whereat the load range is correspondingly reduced.

Cable mounting type number	Height (H) (mm)	Width (W) (mm)	Mass (kg)
A050127-057	57	80	0.30
A050127-051	51	58	0.26
A050127-044	44	49	0.23
A050127-039	39	44	0.22
A050127-034	34	39	0.20



Fixture holes	Upper bar		
	Through holes 6.5 mm	Through holes countersunk	Inserts M6
Through holes 6.5 mm	II	IY	IM
Through holes countersunk	IY	YY	YM
Inserts M6	IM	YM	MM

Each cable mount has six alternative configurations with regard to fixture holes (ref. table to the left). When ordering, make your choice and add the code to the type number. **Example:** A015080-033-YY

# 1.6 SERIES A06

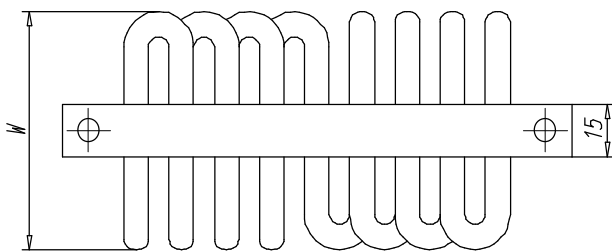
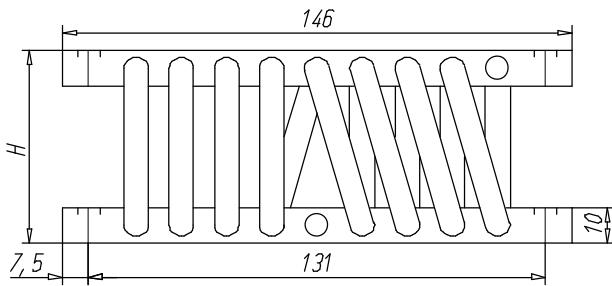
## RD CABLE MOUNTINGS

**Combined all-metal multidirectional anti-vibration and antishock mountings.**

- No aging
- Corrosion resistant
- Highly inherent damping
- Very low amplification at resonance
- Severe shock attenuation
- Wide temperature range (-180°C to +300)
- Maintenance free

**Typical applications:**

- Resilient Suspensions meeting Military Standards
- Isolation of Sensitive Electronic Equipment
- Isolation of Generators, Pumps and Compressors
- Exhaust System suspension
- Isolation of Cabinets, Containers etc.
- Protection of Equipment during Transport
- Extreme Temperature Application



Fixture holes	Upper bar		
	Through holes 6.5 mm	Through holes countersunk	Inserts M6
Lower bar			
Through holes 6.5 mm	II	IY	IM
Through holes countersunk	IY	YY	YM
Inserts M6	IM	YM	MM

Each cable mount has six alternative configurations with regard to fixture holes (ref. table to the left). When ordering, make your choice and add the code to the type number. **Example:** A015080-033-YY

Load mode: **Compression**  
 Typical load range: 30 – 110 kg

Cable mounting type number	Rated load at 10 Hz (kg)	Max. static load (kg)	Max. dyn. Travel (mm)
A060146-063	36	49	36
A060146-059	50	63	32
A060146-055	64	76	29
A060146-050	85	91	24
A060146-044	118	118	18

Load mode: **45° Compression/roll**  
 Typical load range: 15 – 70 kg

Cable mounting type number	Rated load at 10 Hz (kg)	Max. static load (kg)	Max. dyn. Travel (mm)
A060146-063	21	35	51
A060146-059	30	45	46
A060146-055	37	54	40
A060146-050	50	64	34
A060146-044	70	76	26

Load mode: **Shear and roll**  
 Typical load range: 4 – 20 kg

Cable mounting type number	Rated load at 12 Hz (kg)	Max. static load (kg)	Max. dyn. Travel (mm)
A060146-063	6	21	38
A060146-059	8	27	34
A060146-055	10	32	30
A060146-050	14	38	25
A060146-044	19	46	19

The number of wire loops can be less than 8, f. inst. 4 or 6, whereat the load range is correspondingly reduced.

Cable mounting type number	Height (H) (mm)	Width (W) (mm)	Mass (kg)
A060146-063	63	95	0.37
A060146-059	59	80	0.33
A060146-055	55	71	0.31
A060146-050	50	63	0.28
A060146-044	44	56	0.26

# 1.7 SERIES A08

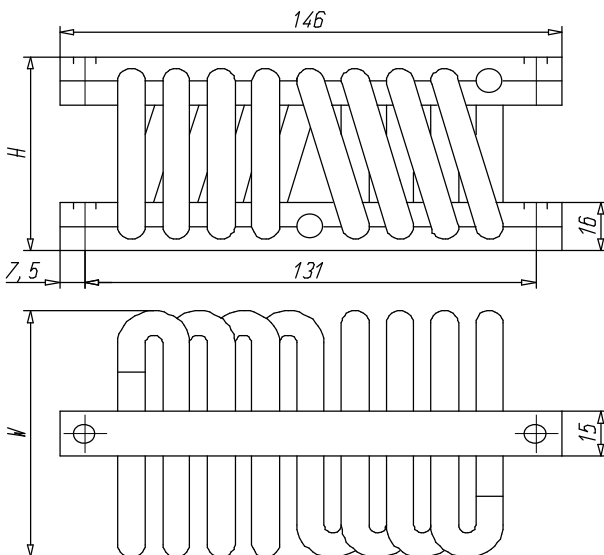
## RD CABLE MOUNTINGS

**Combined all-metal multidirectional anti-vibration and antishock mountings.**

- No aging
- Corrosion resistant
- Highly inherent damping
- Very low amplification at resonance
- Severe shock attenuation
- Wide temperature range (-180°C to +300)
- Maintenance free

**Typical applications:**

- Resilient Suspensions meeting Military Standards
- Isolation of Sensitive Electronic Equipment
- Isolation of Generators, Pumps and Compressors
- Exhaust System suspension
- Isolation of Cabinets, Containers etc.
- Protection of Equipment during Transport
- Extreme Temperature Application



Fixture holes		Through holes 6.5 mm	Through holes countersunk	Inserts M6
Upper bar	Lower bar			
Through holes 6.5 mm	Through holes 6.5 mm	II	IY	IM
Through holes countersunk	Through holes 6.5 mm	IY	YY	YM
Through holes countersunk	Through holes countersunk	IM	YM	MM

Each cable mount has six alternative configurations with regard to fixture holes (ref. table to the left). When ordering, make your choice and add the code to the type number. **Example:** A015080-033-YY

**Load mode: Compression**

Typical load range: 25 – 100 kg

Cable mounting type number	Rated load at 10 Hz (kg)	Max. static load (kg)	Max. dyn. Travel (mm)
A080146-083	30	49	48
A080146-068	45	59	34
A080146-064	62	77	31
A080146-060	80	92	27
A080146-055	105	110	23

**Load mode: 45° Compression/roll**

Typical load range: 15 – 70 kg

Cable mounting type number	Rated load at 10 Hz (kg)	Max. static load (kg)	Max. dyn. Travel (mm)
A080146-083	18	35	67
A080146-068	27	42	48
A080146-064	37	54	43
A080146-060	47	65	38
A080146-055	62	78	32

**Load mode: Shear and roll**

Typical load range: 4 – 20 kg

Cable mounting type number	Rated load at 12 Hz (kg)	Max. static load (kg)	Max. dyn. Travel (mm)
A080146-083	5	21	50
A080146-068	7	25	36
A080146-064	10	32	32
A080146-060	13	39	28
A080146-055	17	47	24

The number of wire loops can be less than 8, f. inst. 4 or 6, hereat the load range is correspondingly reduced.

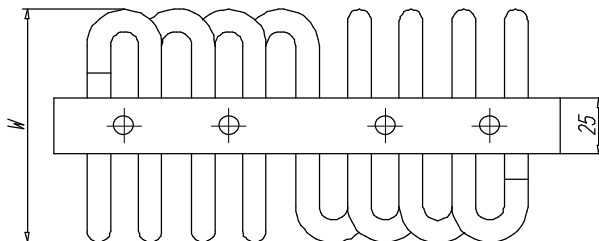
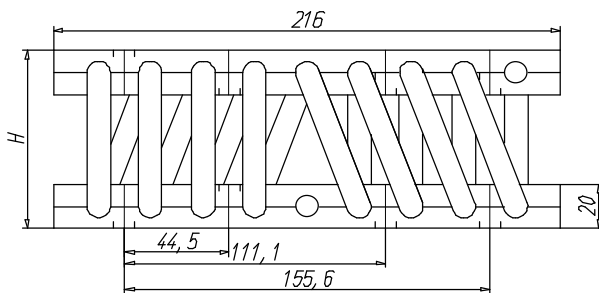
Cable mounting type number	Height (H) (mm)	Width (W) (mm)	Mass (kg)
A080146-083	83	109	0.70
A080146-068	68	96	0.65
A080146-064	64	81	0.60
A080146-060	60	72	0.55
A080146-055	55	64	0.50

## 1.8 SERIES A10

### RD CABLE MOUNTINGS

**Combined all-metal multidirectional anti-vibration and antishock mountings.**

- No aging
- Corrosion resistant
- Highly inherent damping
- Very low amplification at resonance
- Severe shock attenuation
- Wide temperature range (-180°C to +300)
- Maintenance free



Fixture holes	Upper bar		
	Through holes 9 mm	Through holes countersunk	Inserts M8
Lower bar			
Through holes 9 mm	II	IY	IM
Through holes countersunk	IY	YY	YM
Inserts M8	IM	YM	MM

Each cable mount has six alternative configurations with regard to fixture holes (ref. table to the left). When ordering, make your choice and add the code to the type number. **Example:** A015080-033-YY

#### Typical applications:

- Resilient Suspensions meeting Military Standards
- Isolation of Sensitive Electronic Equipment
- Isolation of Generators, Pumps and Compressors
- Exhaust System suspension
- Isolation of Cabinets, Containers etc.
- Protection of Equipment during Transport
- Extreme Temperature Application

Load mode: **Compression**

Typical load range: 35 – 150 kg

Cable mounting type number	Rated load at 10 Hz (kg)	Max. static load (kg)	Max. dyn. Travel (mm)
A100216-108	45	93	65
A100216-092	66	114	50
A100216-080	84	123	40
A100216-077	110	156	37
A100216-074	133	175	34

Load mode: **45° Compression/roll**

Typical load range: 25 – 90 kg

Cable mounting type number	Rated load at 10 Hz (kg)	Max. static load (kg)	Max. dyn. Travel (mm)
A100216-108	27	66	92
A100216-092	39	80	71
A100216-080	50	87	56
A100216-077	66	110	52
A100216-074	79	124	48

Load mode: **Shear and roll**

Typical load range: 5 – 35 kg

Cable mounting type number	Rated load at 12 Hz (kg)	Max. static load (kg)	Max. dyn. Travel (mm)
A100216-108	7	40	68
A100216-092	11	48	53
A100216-080	14	52	42
A100216-077	18	66	39
A100216-074	21	74	36

The number of wire loops can be less than 8, f. inst. 4 or 6, whereat the load range is correspondingly reduced.

Cable mounting type number	Height (H) (mm)	Width (W) (mm)	Mass (kg)
A100216-108	108	121	1.50
A100216-092	92	108	1.35
A100216-080	80	104	1.25
A100216-077	77	90	1.20
A100216-074	74	84	1.15

# 1.9 SERIES A13

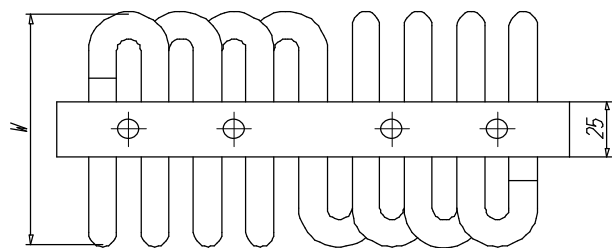
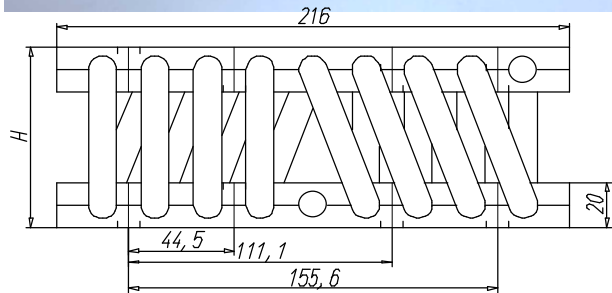
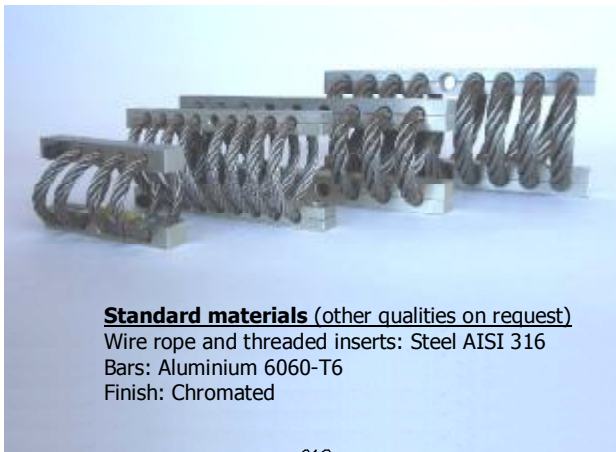
## RD CABLE MOUNTINGS

**Combined all-metal multidirectional anti-vibration and antishock mountings.**

- No aging
- Corrosion resistant
- Highly inherent damping
- Very low amplification at resonance
- Severe shock attenuation
- Wide temperature range (-180°C to +300)
- Maintenance free

**Typical applications:**

- Resilient Suspensions meeting Military Standards
- Isolation of Sensitive Electronic Equipment
- Isolation of Generators, Pumps and Compressors
- Exhaust System suspension
- Isolation of Cabinets, Containers etc.
- Protection of Equipment during Transport
- Extreme Temperature Application



Fixture holes	Upper bar		
	Through holes 9 mm	Through holes countersunk	Inserts M8
Lower bar			
Through holes 9 mm	II	IY	IM
Through holes countersunk	IY	YY	YM
Inserts M8	IM	YM	MM

Each cable mount has six alternative configurations with regard to fixture holes (ref. table to the left). When ordering, make your choice and add the code to the type number. **Example:** A015080-033-YY

**Load mode: Compression**

Typical load range: 100 – 375 kg

Cable mounting type number	Rated load at 10 Hz (kg)	Max. static load (kg)	Max. dyn. Travel (mm)
A130216-108	115	225	60
A130216-095	158	263	49
A130216-089	214	329	43
A130216-083	245	346	38
A130216-076	325	411	32

**Load mode: 45° Compression/roll**

Typical load range: 60 – 225 kg

Cable mounting type number	Rated load at 10 Hz (kg)	Max. static load (kg)	Max. dyn. Travel (mm)
A130216-108	68	159	85
A130216-095	93	186	69
A130216-089	127	233	61
A130216-083	145	245	53
A130216-076	192	291	45

**Load mode: Shear and roll**

Typical load range: 15 – 90 kg

Cable mounting type number	Rated load at 12 Hz (kg)	Max. static load (kg)	Max. dyn. Travel (mm)
A130216-108	18	106	63
A130216-095	25	124	51
A130216-089	34	156	45
A130216-083	39	164	40
A130216-076	52	194	33

The number of wire loops can be less than 8, f. inst. 4 or 6, whereat the load range is correspondingly reduced.

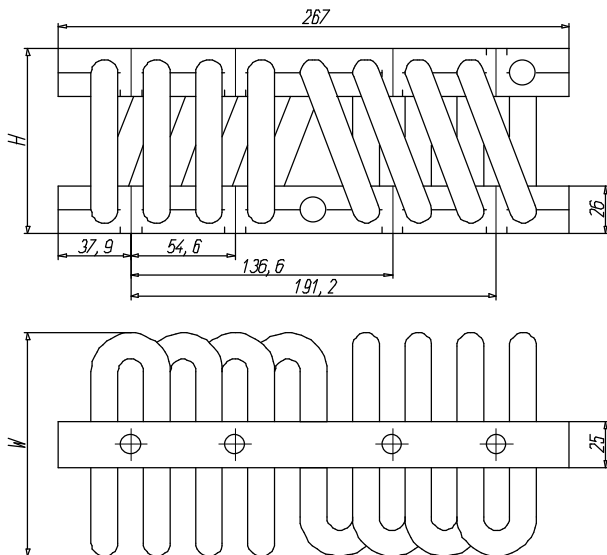
Cable mounting type number	Height (H) (mm)	Width (W) (mm)	Mass (kg)
A130216-108	108	133	2.4
A130216-095	95	121	2.2
A130216-089	89	105	2.0
A130216-083	83	102	1.9
A130216-076	76	92	1.7

## 1.10 SERIES A16

### RD CABLE MOUNTINGS

**Combined all-metal multidirectional anti-vibration and antishock mountings.**

- No aging
- Corrosion resistant
- Highly inherent damping
- Very low amplification at resonance
- Severe shock attenuation
- Wide temperature range (-180°C to +300)
- Maintenance free



Fixture holes	Upper bar		
	Through holes 11 mm	Through holes countersunk	Inserts M10
Lower bar			
Through holes 11 mm	II	IY	IM
Through holes countersunk	IY	YY	YM
Inserts M10	IM	YM	MM

Each cable mount has six alternative configurations with regard to fixture holes (ref. table to the left). When ordering, make your choice and add the code to the type number. **Example:** A015080-033-YY

#### Typical applications:

- Resilient Suspensions meeting Military Standards
- Isolation of Sensitive Electronic Equipment
- Isolation of Generators, Pumps and Compressors
- Exhaust System suspension
- Isolation of Cabinets, Containers etc.
- Protection of Equipment during Transport
- Extreme Temperature Application

Load mode: **Compression**

Typical load range: 150 – 675 kg

Cable mounting type number	Rated load at 10 Hz (kg)	Max. static load (kg)	Max. dyn. Travel (mm)
A160267-127	170	360	67
A160267-109	283	486	50
A160267-100	385	582	42
A160267-096	455	647	39
A160267-089	585	747	32

Load mode: **45° Compression/roll**

Typical load range: 85 – 400 kg

Cable mounting type number	Rated load at 10 Hz (kg)	Max. static load (kg)	Max. dyn. Travel (mm)
A160267-127	100	254	94
A160267-109	167	344	71
A160267-100	228	411	60
A160267-096	269	458	55
A160267-089	346	528	46

Load mode: **Shear and roll**

Typical load range: 25 – 175 kg

Cable mounting type number	Rated load at 12 Hz (kg)	Max. static load (kg)	Max. dyn. Travel (mm)
A160267-127	27	170	70
A160267-109	45	230	53
A160267-100	62	275	44
A160267-096	73	306	41
A160267-089	94	353	34

The number of wire loops can be less than 8, f. inst. 4 or 6, whereat the load range is correspondingly reduced.

Cable mounting type number	Height (H) (mm)	Width (W) (mm)	Mass (kg)
A160267-127	127	165	4.3
A160267-109	109	135	3.6
A160267-100	100	120	3.3
A160267-096	96	112	3.1
A160267-089	89	102	2.9

## 1.11 SERIES A22

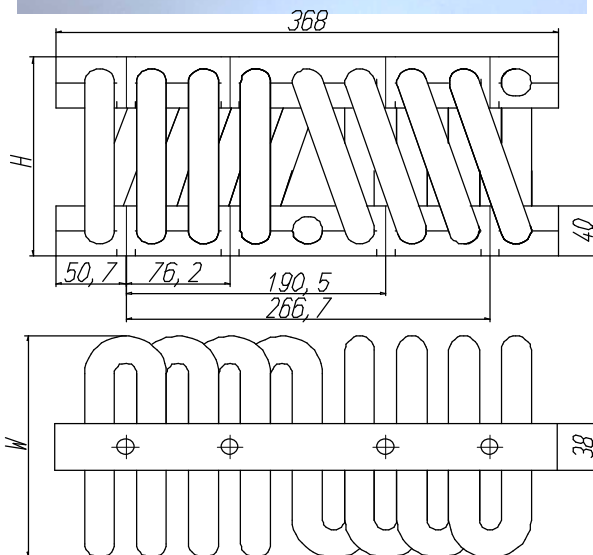
### RD CABLE MOUNTINGS

**Combined all-metal multidirectional anti-vibration and antishock mountings.**

- No aging
- Corrosion resistant
- Highly inherent damping
- Very low amplification at resonance
- Severe shock attenuation
- Wide temperature range (-180°C to +300)
- Maintenance free

**Typical applications:**

- Resilient Suspensions meeting Military Standards
- Isolation of Sensitive Electronic Equipment
- Isolation of Generators, Pumps and Compressors
- Exhaust System suspension
- Isolation of Cabinets, Containers etc.
- Protection of Equipment during Transport
- Extreme Temperature Application



Fixture holes	Upper bar		
	Through holes 13.5 mm	Through holes countersunk	Inserts M12
Lower bar			
Through holes 13.5 mm	II	IY	IM
Through holes countersunk	IY	YY	YM
Inserts M12	IM	YM	MM

Each cable mount has six alternative configurations with regard to fixture holes (ref. table to the left). When ordering, make your choice and add the code to the type number. **Example:** A015080-033-YY

Load mode: **Compression**

Typical load range: 200 – 1000 kg

Cable mount type number	Rated load at 10 Hz (kg)	Max. static load (kg)	Max. dyn. Travel (mm)
A220368-190	245	743	103
A220368-159	420	966	75
A220368-152	505	1088	68
A220368-133	815	1416	51

Load mode: **45° Compression/roll**

Typical load range: 125 – 600 kg

Cable mount type number	Rated load at 10 Hz (kg)	Max. static load (kg)	Max. dyn. Travel (mm)
A220368-190	145	525	145
A220368-159	248	683	106
A220368-152	299	769	97
A220368-133	482	1002	73

Load mode: **Shear and roll**

Typical load range: 35 – 300 kg

Cable mount type number	Rated load at 12 Hz (kg)	Max. static load (kg)	Max. dyn. Travel (mm)
A220368-190	39	351	108
A220368-159	67	457	78
A220368-152	81	514	72
A220368-133	130	670	54

The number of wire loops can be less than 8, f. inst. 4 or 6, whereat the load range is correspondingly reduced.

Cable mount type number	Height (H) (mm)	Width (W) (mm)	Mass (kg)
A220368-190	190	210	11.8
A220368-159	159	178	10.1
A220368-152	152	165	9.7
A220368-133	133	140	8.6