



DOCUMENTATION SHEET

Rubber Bellows

Type Flame guard

FLAME GUARD



General

Flame guards protect the rubber bellows for overheating from the outside.

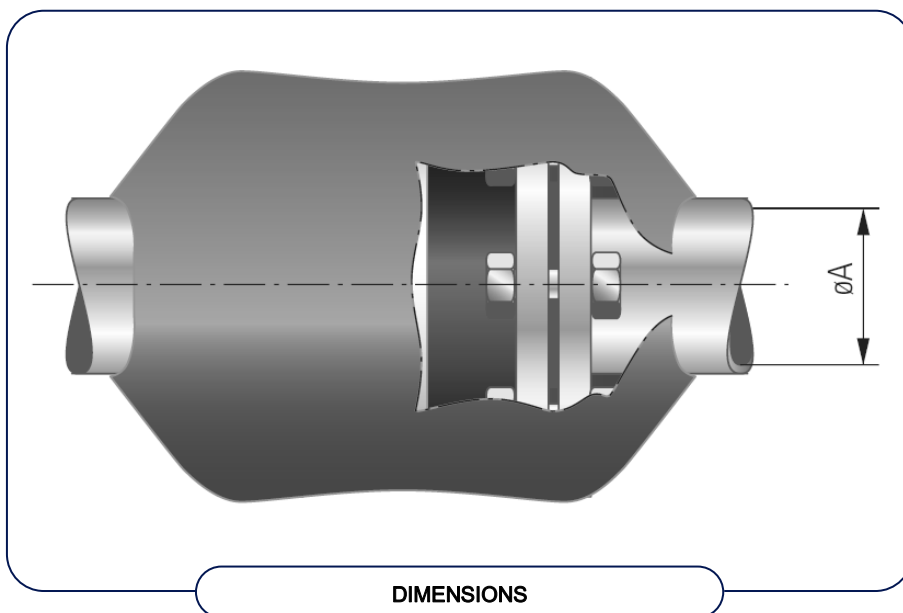
These covers are made of various layers of fabric materials consisting of high temperature glass fiber and are resistant against oil, chemicals and ageing.

Flame tests have proven a rubber bellows to withstand 800°C heat and flames for 30 minutes.

The covers can be installed easily after installation of the rubber bellows and can be removed the same way and will not interfere with the function of the rubber bellows.

	Class F30
	A [mm]
VB025A11	25
VB032A11	32
VB040A11	40
VB050A11	50
VB065A11	65
VB080A11	80
VB100A11	100
VB125A11	125
VB150A11	150
VB200A11	200
VB250A11	250
VB300A11	300

TABLE



DIMENSIONS