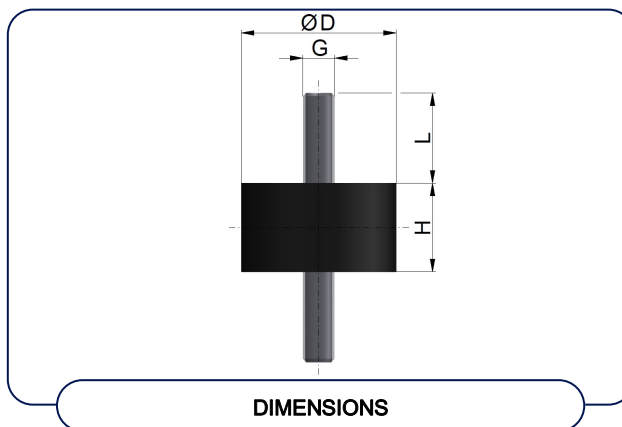




DOCUMENTATION SHEET

Anti-vibration Mountings  
Type Circular buffer TXA

TXA  
CIRCULAR BUFFER



| Type            | Dimensions (mm) |     |     |    | Stiffness (N/mm) |     | Max. load (N) |      | Stock |
|-----------------|-----------------|-----|-----|----|------------------|-----|---------------|------|-------|
|                 | D               | H   | G   | L  | Cz               | Cxy | Fz            | Fxy  |       |
| TXA010010S20A45 | 10              | 10  | M4  | 12 | 25               | 5   | 25            | 8    |       |
| TXA010010S20A60 | 10              | 10  | M4  | 12 | 35               | 9   | 32            | 14   |       |
| TXA015015S20A45 | 15              | 15  | M4  | 12 | 41               | 5   | 61            | 10   |       |
| TXA015015S20A60 | 15              | 15  | M4  | 12 | 59               | 11  | 88            | 22   | s     |
| TXA015020S20A45 | 15              | 20  | M4  | 12 | 30               | 3   | 75            | 8    |       |
| TXA015020S20A60 | 15              | 20  | M4  | 12 | 40               | 8   | 100           | 20   |       |
| TXA015030S20A45 | 15              | 30  | M4  | 12 | 15               | 2   | 107           | 8    |       |
| TXA015030S20A60 | 15              | 30  | M4  | 12 | 20               | 5   | 177           | 20   |       |
| TXA020015S20A45 | 20              | 15  | M6  | 18 | 112              | 11  | 168           | 22   |       |
| TXA020015S20A60 | 20              | 15  | M6  | 18 | 200              | 25  | 300           | 50   | s     |
| TXA020020S20A45 | 20              | 20  | M6  | 18 | 71               | 7   | 177           | 17   |       |
| TXA020020S20A60 | 20              | 20  | M6  | 18 | 133              | 14  | 332           | 35   | s     |
| TXA020025S20A45 | 20              | 25  | M6  | 18 | 42               | 6   | 126           | 18   |       |
| TXA020025S20A60 | 20              | 25  | M6  | 18 | 90               | 11  | 270           | 33   |       |
| TXA025020S20A45 | 25              | 20  | M6  | 18 | 110              | 14  | 275           | 35   |       |
| TXA025020S20A60 | 25              | 20  | M6  | 18 | 200              | 32  | 500           | 80   | s     |
| TXA025025S20A45 | 25              | 25  | M6  | 18 | 50               | 10  | 150           | 30   |       |
| TXA025025S20A60 | 25              | 25  | M6  | 18 | 94               | 23  | 282           | 69   | s     |
| TXA025030S20A45 | 25              | 30  | M6  | 18 | 38               | 8   | 152           | 32   |       |
| TXA025030S20A60 | 25              | 30  | M6  | 18 | 70               | 15  | 280           | 60   |       |
| TXA030015S20A45 | 30              | 15  | M8  | 23 | 310              | 30  | 465           | 60   |       |
| TXA030015S20A60 | 30              | 15  | M8  | 23 | 587              | 61  | 880           | 122  | s     |
| TXA030020S20A45 | 30              | 20  | M8  | 23 | 190              | 27  | 475           | 67   | s     |
| TXA030020S20A60 | 30              | 20  | M8  | 23 | 318              | 54  | 795           | 67   | s     |
| TXA030030S20A45 | 30              | 30  | M8  | 23 | 85               | 12  | 340           | 48   | s     |
| TXA030030S20A60 | 30              | 30  | M8  | 23 | 150              | 21  | 600           | 84   | s     |
| TXA040030S20A45 | 40              | 30  | M8  | 23 | 163              | 25  | 652           | 100  |       |
| TXA040030S20A60 | 40              | 30  | M8  | 23 | 300              | 50  | 1200          | 200  |       |
| TXA040040S20A45 | 40              | 40  | M8  | 23 | 110              | 15  | 550           | 90   |       |
| TXA040040S20A60 | 40              | 40  | M8  | 23 | 189              | 30  | 945           | 180  |       |
| TXA050030S20A45 | 50              | 30  | M10 | 28 | 284              | 38  | 1136          | 152  | s     |
| TXA050030S20A60 | 50              | 30  | M10 | 28 | 500              | 75  | 2000          | 300  | s     |
| TXA050040S20A45 | 50              | 40  | M10 | 28 | 176              | 22  | 880           | 132  |       |
| TXA050040S20A60 | 50              | 40  | M10 | 28 | 300              | 47  | 1500          | 282  | s     |
| TXA050050S20A45 | 50              | 50  | M10 | 28 | 92               | 17  | 552           | 136  |       |
| TXA050050S20A60 | 50              | 50  | M10 | 28 | 193              | 33  | 1153          | 264  |       |
| TXA075040S20A45 | 75              | 40  | M12 | 37 | 491              | 60  | 2455          | 360  |       |
| TXA075040S20A60 | 75              | 40  | M12 | 37 | 717              | 115 | 3585          | 690  | s     |
| TXA075050S20A45 | 75              | 50  | M12 | 37 | 273              | 45  | 1638          | 360  |       |
| TXA075050S20A60 | 75              | 50  | M12 | 37 | 470              | 87  | 2820          | 696  |       |
| TXA075060S20A45 | 75              | 60  | M12 | 37 | 181              | 27  | 1448          | 270  |       |
| TXA075060S20A60 | 75              | 60  | M12 | 37 | 337              | 59  | 2696          | 590  |       |
| TXA100040S20A45 | 100             | 40  | M16 | 43 | 850              | 90  | 4250          | 540  |       |
| TXA100040S20A60 | 100             | 40  | M16 | 43 | 1200             | 180 | 6000          | 1080 |       |
| TXA100075S20A45 | 100             | 75  | M16 | 43 | 215              | 45  | 2365          | 540  |       |
| TXA100075S20A60 | 100             | 75  | M16 | 43 | 400              | 97  | 4400          | 1164 |       |
| TXA100100S20A45 | 100             | 100 | M16 | 43 | 183              | 29  | 2745          | 580  |       |
| TXA100100S20A60 | 100             | 100 | M16 | 43 | 314              | 61  | 4710          | 1220 |       |
| TXA150075S20A45 | 150             | 75  | M16 | 43 | 486              | 110 | 5346          | 1320 |       |
| TXA150075S20A60 | 150             | 75  | M16 | 43 | 965              | 225 | 10615         | 2700 |       |
| TXA150150S20A45 | 150             | 150 | M16 | 43 | 264              | 75  | 6600          | 3750 |       |
| TXA150150S20A60 | 150             | 150 | M16 | 43 | 438              | 150 | 10950         | 7500 |       |
| TXA200100S20A45 | 200             | 100 | M20 | 46 | 732              | 200 | 10980         | 4000 |       |
| TXA200100S20A60 | 200             | 100 | M20 | 46 | 1300             | 400 | 19500         | 8000 |       |



CHARACTERISTICS