

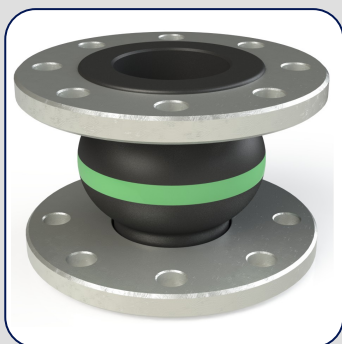


## DOCUMENTATION SHEET

### Rubber Bellows

#### Type 1A Green

1A GREEN



### General

Our rubber bellows are made from various elastomers and provide the flexible element in pipe work that is indispensable in today's technically advanced plant and machinery spaces.

By using the best quality proven rubber compounds and a construction based on many years of experience, our rubber bellows are produced to a high quality standard to guarantee maximum safety and performance.

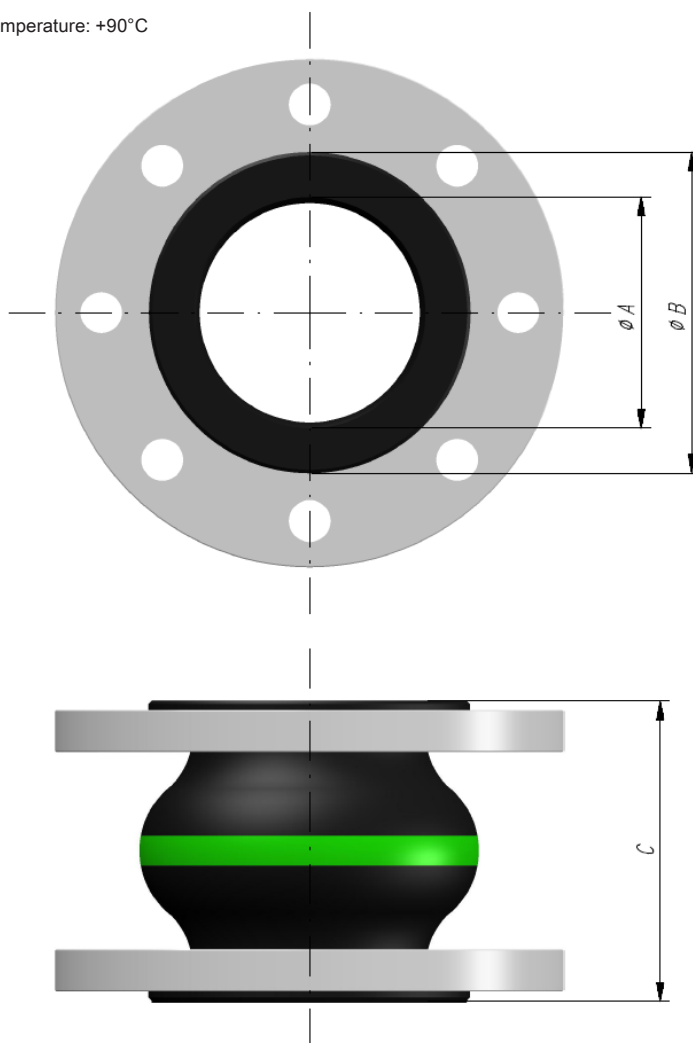
Rubber bellows are used in various fields of industry like shipbuilding, offshore, dredging, power plants, chemical industry, water works etc.

The rubber bellows provide:

- Compensation of thermal or mechanical movement of pipe work in axial, lateral and/or angular directions.
- Absorption and isolation of vibration combined with damping of pipe work borne sound transmission.
- Reduction of pressure pulses in pipe work.
- Compensation for pipe work misalignment on flexibly mounted installations.

Our program consists of rubber bellows with flanges, according all known standards as well as special connections, and rubber and silicone bellows for installation with hose clamps.

Maximum temperature: +90°C



DIMENSIONS



Rubber bellows with flanges have a special flow-assisting convoluted shape of the bellows which minimize detrimental turbulence of the medium and pressure loss. High tensile strength aramide cord plies combined with proven synthetic rubber mixes guarantee maximum reliability and an extended working life.

The rubber bellows are produced with a vulcanized steel ring to guarantee a perfect sealing of the profiled sealing rings in the special chamber of the swivel flanges. Average installed insulation is about 25 dB, a figure which is further improved by compressed installation.

The standard flange range is made of carbon steel S235JR, drilled according to DIN PN10/16 and electrolytic galvanized.

1A GREEN

1A GREEN RING	Bellows dimensions			Allowable Displacement			Effective bellows area cm <sup>2</sup>	Weight kg	Min. Max. Press.ure ( abs )		Installation length	
	ØA	ØB	C	Ax.	Lat.	Ang.			kPa	MPa	min.	max.
	mm	mm	mm	mm	mm	°					mm	mm
KR025H110A000	25	72	130	-30/+20	±20	±35	35	1,9	20	1,6	120	135
KR032H110A000	32	72	130	-30/+20	±20	±35	35	2,0	20	1,6	120	135
KR040H110A000	40	79	130	-30/+20	±20	±35	50	3,5	20	1,6	120	135
KR050H110A000	50	89	130	-30/+20	±20	±35	74	4,3	20	1,6	120	135
KR065H110A000	65	104	130	-30/+20	±20	±30	87	5,5	20	1,6	120	135
KR080H110A000	80	120	130	-30/+20	±20	±30	120	6,2	30	1,6	120	135
KR100H110A000	100	139	130	-30/+20	±20	±25	143	7,7	40	1,6	120	135
KR125H110A000	125	164	130	-30/+20	±20	±25	210	8,7	60	1,6	120	135
KR150H110A000	150	189	130	-30/+20	±20	±15	283	11,3	60	1,6	120	135
KR200H110A000	200	237	130	-30/+20	±20	±15	525	16,2	70	1,0	115	140
KR250H110A000	250	289	130	-30/+20	±20	±10	636	20,5	70	1,0	125	140
KR300H110A000	300	338	130	-30/+20	±20	±10	897	24,0	80	1,0	125	140
KR350H110A000	350	390	200	-30/+20	±20	±10	1290	34,0	80	1,0	190	210
KR400H110A000	400	455	200	-30/+20	±20	±10	1628	37,5	80	1,0	190	210
KR500H110A000	500	555	200	-30/+20	±20	±10	2546	47,0	80	1,0	190	210

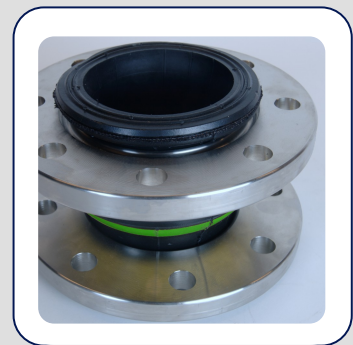
Standard flange S235JR, drilled according to DIN PN10/16, electrolytic galvanized.

TABLE

### Pressure

The maximum working pressure is 16 Bar ( 10 Bar\* ) with a test pressure of 25 Bar and even a burst pressure of over 60 Bar ( 30 Bar\* )

( \* for bellows larger than NB 150)



TYPE APPROVALS

### Rubber Design B.V.

Industrieweg 21  
2995BE Heerjansdam  
The Netherlands  
Phone: +31 ( 0 ) 78 677 87 78  
Fax: +31 ( 0 ) 78 677 10 38  
Email: info@rubberdesign.nl  
Web: www.rubberdesign.nl