

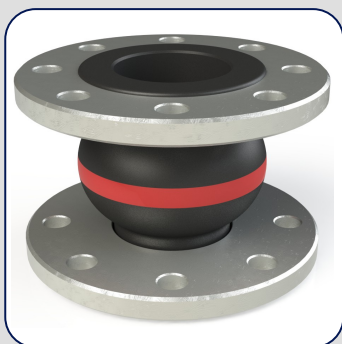


## DOCUMENTATION SHEET

### Rubber Bellows

#### Type 1A Red

1A RED



#### General

Our rubber bellows red ring are made from EPDM rubber and provide resistance to water upto 90°C, however this is influenced by the working pressure.

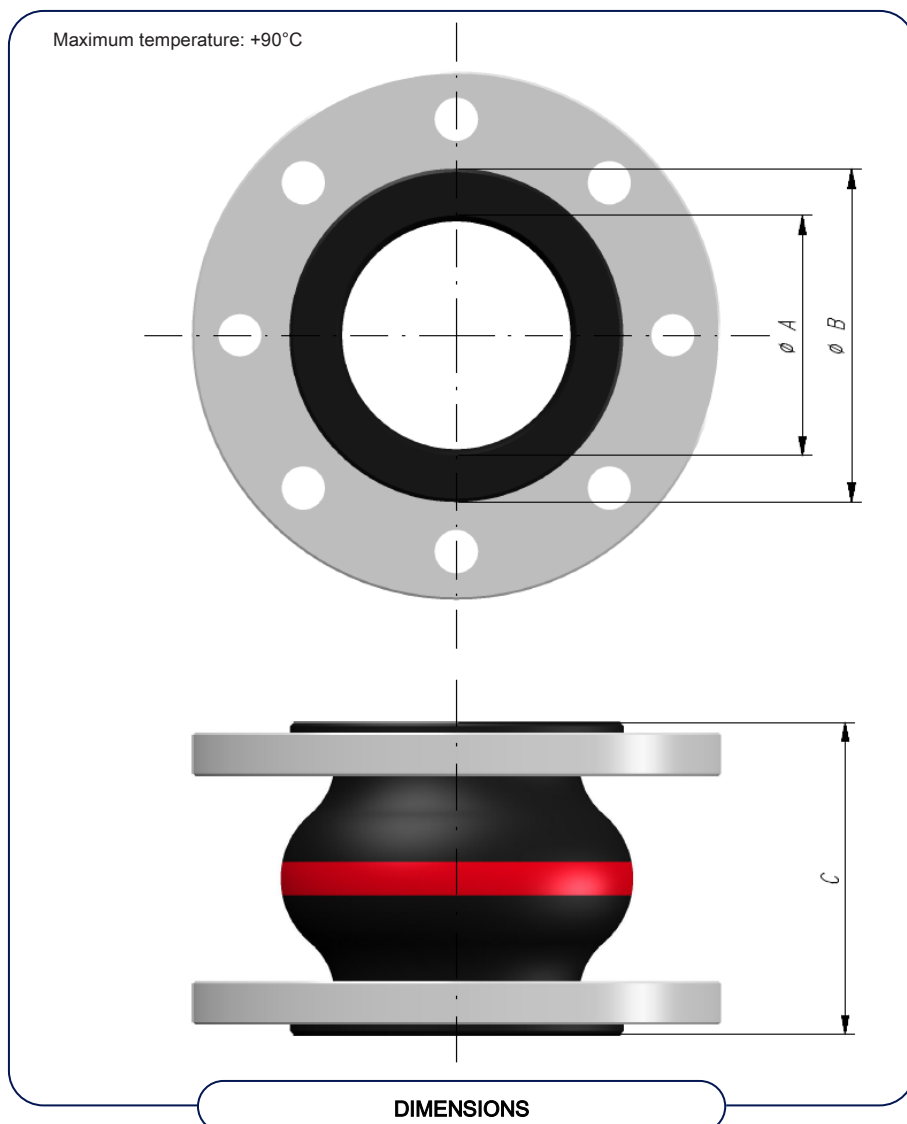
Rubber bellows with flanges have a special flow-assisting convoluted shape of the bellows which minimize detrimental turbulence of the medium and pressure loss.

High tensile strength texture cord plies combined with proven synthetic rubber mixes guarantee maximum reliability and an extended working life.

The rubber bellows are produced with a vulcanized steel ring to guarantee a perfect sealing of the profiled sealing rings in the special chamber of the swivel flanges.

Average installed insulation is about 25 dB, a figure which is further improved by compressed installation.

The standard flange range is made of carbon steel S235JR, drilled according to DIN PN10/16 and electrolytic galvanized.





Rubber bellows with flanges have a special flow-assisting convoluted shape of the bellows which minimize detrimental turbulence of the medium and pressure loss. High tensile strength aramide cord plies combined with proven synthetic rubber mixes guarantee maximum reliability and an extended working life.

The rubber bellows are produced with a vulcanized steel ring to guarantee a perfect sealing of the profiled sealing rings in the special chamber of the swivel flanges. Average installed insulation is about 25 dB, a figure which is further improved by compressed installation.

The standard flange range is made of carbon steel S235JR, drilled according to DIN PN10/16 and electrolytic galvanized.

1A RED

1A RED RING	Bellows dimensions			Allowable Displacement			Effective bellows area	Weight	Min. Max. Pressure		Installation length	
	ØA	ØB	C	Ax.	Lat.	Ang.			kPa	MPa	min.	max.
	mm	mm	mm	mm	mm	°	cm <sup>2</sup>	kg			mm	mm
KR025R110A000	25	72	130	-30/+20	±20	±35	35	1,9	20	1,6	120	135
KR032R110A000	32	72	130	-30/+20	±20	±35	35	2,0	20	1,6	120	135
KR040R110A000	40	79	130	-30/+20	±20	±35	50	3,5	20	1,6	120	135
KR050R110A000	50	89	130	-30/+20	±20	±35	74	4,3	20	1,6	120	135
KR065R110A000	65	104	130	-30/+20	±20	±30	87	5,5	20	1,6	120	135
KR080R110A000	80	120	130	-30/+20	±20	±30	120	6,2	30	1,6	120	135
KR100R110A000	100	139	130	-30/+20	±20	±25	143	7,7	40	1,6	120	135
KR125R110A000	125	164	130	-30/+20	±20	±25	210	8,7	60	1,6	120	135
KR150R110A000	150	189	130	-30/+20	±20	±15	283	11,3	60	1,6	120	135
KR200R110A000	200	237	130	-30/+20	±20	±15	525	16,2	70	1,0	115	140
KR250R110A000	250	289	130	-30/+20	±20	±10	636	20,5	70	1,0	125	140
KR300R110A000	300	338	130	-30/+20	±20	±10	897	24,0	80	1,0	125	140
KR350R110A000	350	390	200	-30/+20	±20	±10	1290	34,0	80	1,0	190	210
KR400R110A000	400	455	200	-30/+20	±20	±10	1628	37,5	80	1,0	190	210
KR500R110A000	500	555	200	-30/+20	±20	±10	2546	47,0	80	1,0	190	210

Standard flange S235JR, drilled according to DIN PN10/16, electrolytic galvanized.

TABLE

### Pressure

The maximum working pressure is 16 Bar ( 10 Bar\* ) with a test pressure of 25 Bar and even a burst pressure of over 60 Bar ( 30 Bar\* )

( \* for bellows larger than NB 150)



TYPE APPROVALS



### Rubber Design B.V.

Industrieweg 21  
2995BE Heerjansdam  
The Netherlands  
Phone: +31 ( 0 ) 78 677 87 78  
Fax: +31 ( 0 ) 78 677 10 38  
Email: info@rubberdesign.nl  
Web: www.rubberdesign.nl