

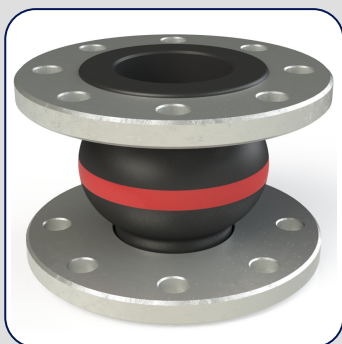


DOCUMENTATION SHEET

Rubber Bellows

Type 1B Red

1B RED



General

Our rubber bellows red ring are made from EPDM rubber and provide resistance to water upto 90°C, however this is influenced by the working pressure.

Rubber bellows with flanges have a special flow-assisting convoluted shape of the bellows which minimize detrimental turbulence of the medium and pressure loss.

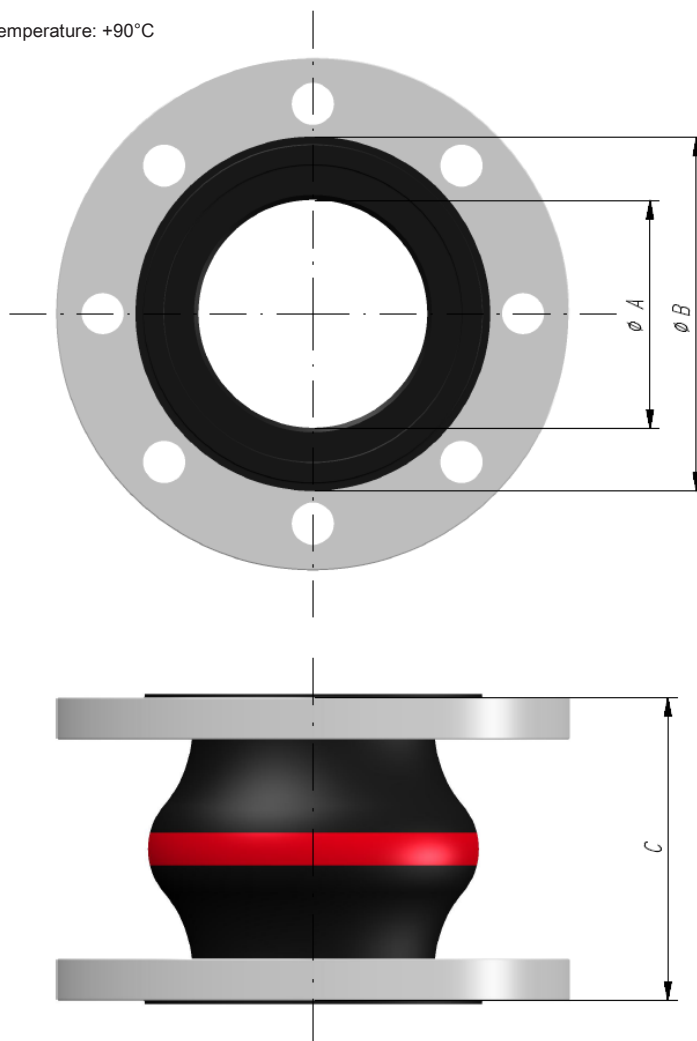
High tensile strength texture cord plies combined with proven synthetic rubber mixes guarantee maximum reliability and an extended working life.

The rubber bellows are produced with a vulcanized steel ring to guarantee a perfect sealing of the profiled sealing rings in the special chamber of the swivel flanges.

Average installed insulation is about 25 dB, a figure which is further improved by compressed installation.

The standard flange range is made of carbon steel S235JR, drilled according to DIN PN10/16 and electrolytic galvanized.

Maximum temperature: +90°C



DIMENSIONS



Rubber bellows with flanges have a special flow-assisting convoluted shape of the bellows which minimize detrimental turbulence of the medium and pressure loss. High tensile strength aramide cord plies combined with proven synthetic rubber mixes guarantee maximum reliability and an extended working life.

The rubber bellows are produced with a vulcanized steel ring to guarantee a perfect sealing of the profiled sealing rings in the special chamber of the swivel flanges. Average installed insulation is about 25 dB, a figure which is further improved by compressed installation.

The standard flange range is made of carbon steel S235JR, drilled according to DIN PN10/16 and electrolytic galvanized.

1B RED RING	Bellows dimensions			Allowable Displacement			Effective bellows area	Weight	Min. Max. Pressure (abs)		Installation length	
	ØA	ØB	C	Ax.	Lat.	Ang.			kPa	MPa	min.	max.
	mm	mm	mm	mm	mm	°	cm ²	kg			mm	mm
KR050R110B000	50	84	150	-15/+20	±15	±15	35	4,7	20	1,6	140	160
KR065R110B000	65	104	150	-15/+20	±15	±15	56	5,4	30	1,6	140	160
KR080R110B000	80	114	150	-15/+20	±15	±15	87	7,0	40	1,6	140	160
KR100R110B000	100	136	150	-15/+20	±15	±15	130	8,1	60	1,6	140	160
KR125R110B000	125	154	150	-15/+20	±15	±15	190	10,1	70	1,6	140	160
KR150R110B000	150	190	150	-15/+20	±15	±15	263	12,4	70	1,6	140	160
KR200R110B000	200	250	150	-15/+20	±15	±15	398	16,6	70	1,6	140	160

TABLE

Standard flange S235JR, drilled according to DIN PN10/16, electrolytic galvanized.

Pressure

The maximum working pressure is 16 Bar (10 Bar*) with a test pressure of 25 Bar and even a burst pressure of over 60 Bar (30 Bar*)

(* for bellows larger than NB 150)



TYPE APPROVAL



Rubber Design B.V.

Industrieweg 21
2995BE Heerjansdam
The Netherlands
Phone: +31 (0) 78 677 87 78
Fax: +31 (0) 78 677 10 38
Email: info@rubberdesign.nl
Web: www.rubberdesign.nl

1B RED