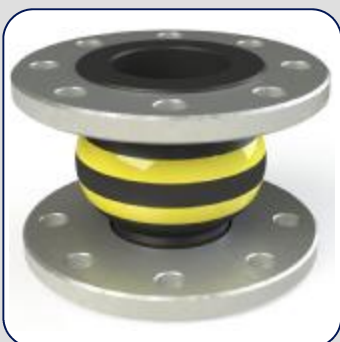


## DOCUMENTATION SHEET

Rubber Bellows  
Type 1A Double yellow

# 1A DOUBLE YELLOW



### General

Our rubber bellows are made from various elastomers and provide the flexible element in pipe work that is indispensable in today's technically advanced plant and machinery spaces.

By using the best quality proven rubber compounds and a construction based on many years of experience, our rubber bellows are produced to a high quality standard to guarantee maximum safety and performance.

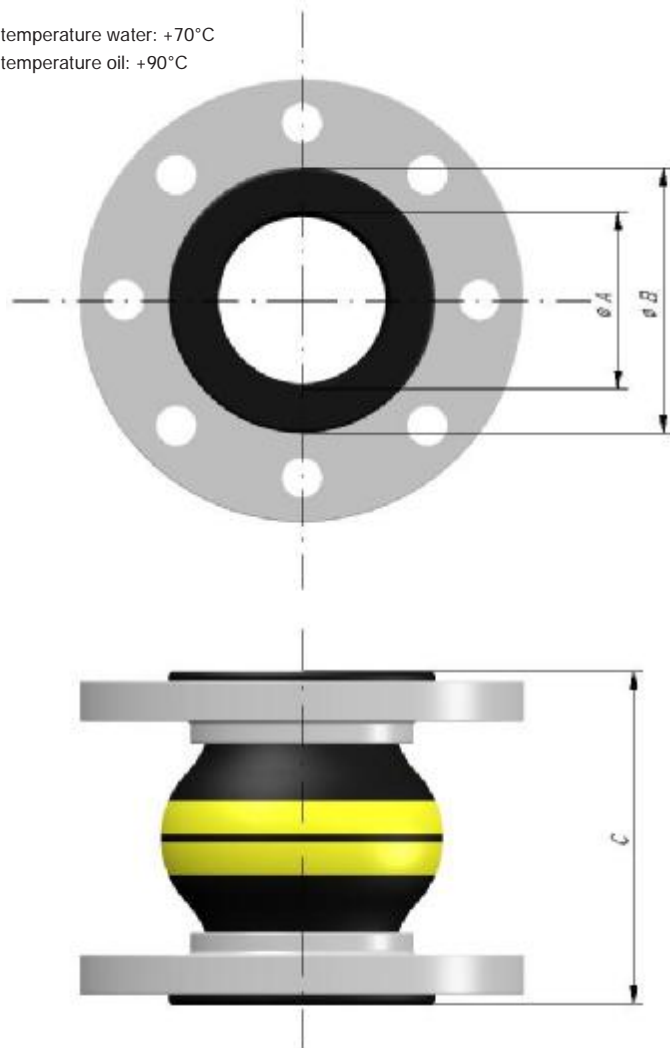
Rubber bellows are used in various fields of industry like shipbuilding, offshore, dredging, power plants, chemical industry, water works etc.

The rubber bellows provide:

- Compensation of thermal or mechanical movement of pipe work in axial, lateral and/or angular directions.
- Absorption and isolation of vibration combined with damping of pipe work borne sound transmission.
- Reduction of pressure pulses in pipe work.
- Compensation for pipe work misalignment on flexibly mounted installations.

Our program consists of rubber bellows with flanges, according all known standards as well as special connections, and rubber and silicone bellows for installation with hose clamps.

Maximum temperature water: +70°C  
Maximum temperature oil: +90°C



DIMENSIONS



Rubber bellows with flanges have a special flow-assisting convoluted shape of the bellows which minimize detrimental turbulence of the medium and pressure loss. Steel cord reinforcement combined with proven synthetic rubber mixes guarantee maximum reliability and an extended working life, also it provides fire resistance acc. to ISO15540.

The rubber bellows are produced with a vulcanized steel ring to guarantee a perfect sealing of the profiled sealing rings in the special chamber of the swivel flanges. Average installed insulation is about 25 dB, a figure which is further improved by compressed installation.

The standard flange range is made of carbon steel S235JR, drilled according to DIN PN10/16 and electrolytic galvanized.

1A DOUBLE YELLOW

1A DOUBLE YELLOW RING	Bellows dimensions			Allowable Displacement			Weight kg	Min. Max. Pressure (abs)		Installation length	
	ØA	ØB	C	Ax.	Lat.	Ang.		kPa	MPa	min.	max.
	mm	mm	mm	mm	mm	°			mm	mm	
KR025S110A000	25	64	130	-30/+15	±15	±20,0	1,5	20	1,6	120	135
KR032S110A000	32	64	130	-30/+15	±15	±20,0	2,5	20	1,6	120	135
KR040S110A000	40	72	130	-30/+15	±15	±20,0	3,0	20	1,6	120	135
KR050S110A000	50	84	130	-30/+15	±15	±20,0	4,0	20	1,6	120	135
KR065S110A000	65	104	130	-30/+15	±15	±20,0	4,5	20	1,6	120	135
KR080S110A000	80	114	130	-30/+15	±15	±20,0	5,5	30	1,6	120	135
KR100S110A000	100	138	130	-30/+15	±15	±15,0	7,0	40	1,6	120	135
KR125S110A000	125	164	130	-30/+15	±15	±15,0	8,5	60	1,6	120	135
KR150S110A000	150	190	130	-30/+15	±15	±15,0	11,0	70	1,6	120	135
KR200S110A000	200	250	130	-15/+20	±10	±5,0	17,0	70	1,0	125	140
KR250S110A000	250	301	130	-15/+20	±10	±5,0	23,5	80	1,0	125	140
KR300S110A000	300	351	130	-15/+20	±10	±5,0	27,0	80	1,0	125	140
KR350S110A000	350	409	200	-40/+30	±15	±10,0	39,5	80	1,0	190	210
KR400S110A000	400	409	200	-40/+30	±15	±5,0	42,0	80	1,0	190	210

Standard flange S235JR, drilled according to DIN PN10/16, electrolytic galvanized.

TABLE

**Remark**

Rubber bellows reinforced with steel cord.

**Pressure**

The maximum working pressure is 16 Bar ( 10 Bar\* ) with a test pressure of 25 Bar and even a burst pressure of over 60 Bar ( 30 Bar\* )

( \* for bellows larger than NB 150)








TYPE APPROVALS

Rubber Design B.V.  
 Industrieweg 21  
 2995BE Heerjansdam  
 The Netherlands  
 Phone: +31 (0) 78 677 87 78  
 Fax: +31 (0) 78 677 10 38  
 Email: [info@rubberdesign.nl](mailto:info@rubberdesign.nl)  
 Web: [www.rubberdesign.nl](http://www.rubberdesign.nl)