

DOCUMENTATION SHEET

Anti-vibration Mountings  
Type Machine Mount APK

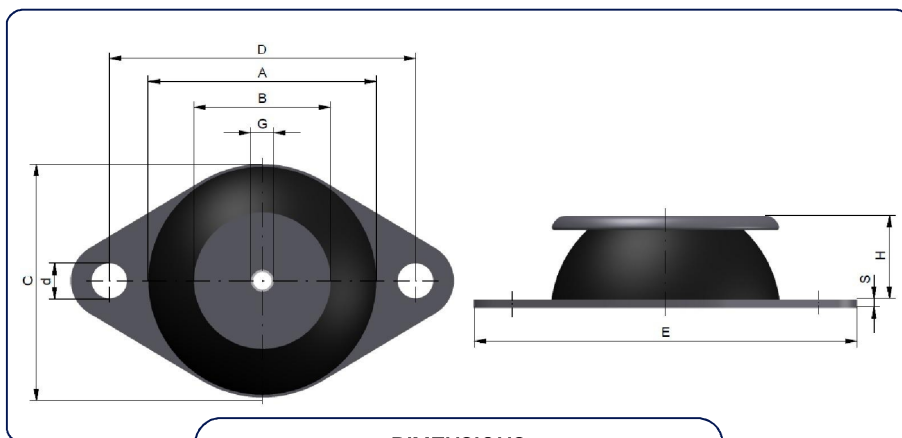
APK  
MACHINE MOUNT

### General

APK mountings are specifically developed to offer good passive isolation for various applications, they are designed to offer higher deflection at lower loads and are mainly used at lower natural frequencies. APK mountings are light weight and easy to install.

#### Applications:

- Fans
- AC-units
- Compressors
- Cooling equipment
- Weighing scales
- Electro motors
- Pumps
- Electronic devices



DIMENSIONS

Type	Dimensions (mm)										Max. load (N)	Cz stiffness (N/mm)
	A	E	H	G	D	B	C	d	s			
TP040A45	40	64	20	M6	52	18	45	6.2	2	110	44	
TP040A60	40	64	20	M6	52	18	45	6.2	2	220	85	
TP060A45	60	90	24	M6	76	30	67	6.2	3	175	56	
TP060A60	60	90	24	M6	76	30	67	6.2	3	320	110	
TP060A70	60	90	24	M6	76	30	67	6.2	3	560	215	
TP080A45	80	120	27	M8	100	48	86	8.2	3	410	82	
TP080A60	80	120	27	M8	100	48	86	8.2	3	645	160	
TP080A70	80	120	27	M8	100	48	86	8.2	3	950	310	
TP100A45	100	148	28	M10	124	50	107	10.2	3	1230	310	
TP100A60	100	148	28	M10	124	50	107	10.2	3	2400	600	
TP100A70	100	148	28	M10	124	50	107	10.2	3	4690	1170	
TP150A45	150	214	39	M14	182	90	156	12.2	4	4250	510	
TP150A60	150	214	39	M14	182	90	156	12.2	4	7850	1000	
TP150A70	150	214	39	M14	182	90	156	12.2	4	13450	1950	
TP200A45	200	280	44	M18	240	130	207	14.5	5	5585	680	
TP200A60	200	280	44	M18	240	130	207	14.5	5	10100	1330	
TP200A70	200	280	44	M18	240	130	207	14.5	5	16200	2600	

CHARACTERISTICS

