



DOCUMENTATION SHEET

Steel Spring Isolator

Type LR

LR

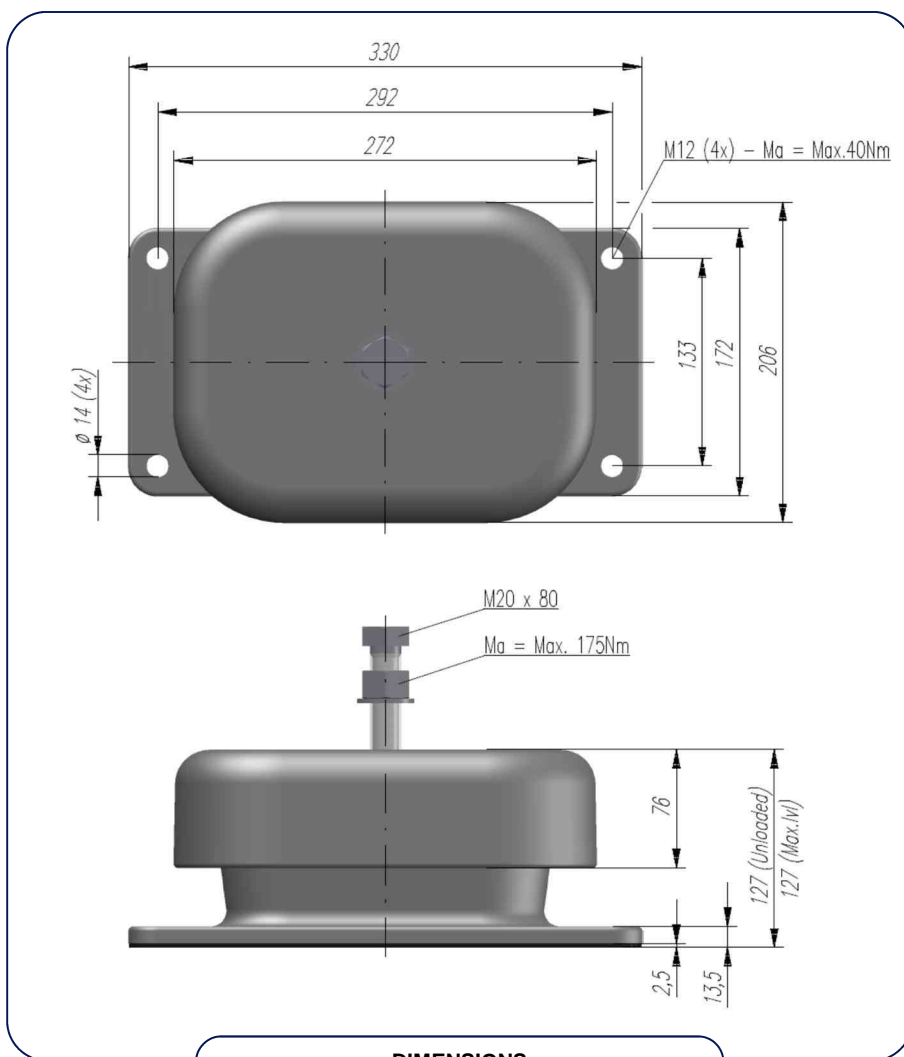
General

The helical spring isolators are enclosed in aluminum castings, the top interlocking with the base. A built-in leveling device is adjustable by the supplied top fixing screw. A molded neoprene O-ring prevents metal to metal contact of the casting and forms a seal against the weather and contaminants.

Low profile multiple spring isolators type MS, LS, LR and LRX are available for a load range up to 41.5 kN.

Applications

- Generator sets
- Emergency power supplies
- DC-AC converters
- Industrial fans
- Air-handling units
- Pumps
- Air-conditioning machines
- Compressor packages
- Electrical equipment
- Refrigerators
- Cooler units



DIMENSIONS



Type	Cz [N/mm]	Cx, y [N/mm]		Fz max [N]	Fz preferential [N]
		at preferential load			
LR2100	368,2	258,9	9353	8043	
LR2400	420,3	295,5	10676	9248	
LR2700	473,4	346,0	12010	10402	
LR3000	525,3	396,0	13344	11556	
LR3300	577,9	432,4	14679	12712	
LR3600	630,4	465,1	16013	13869	
LR3900	683,0	505,2	17348	15026	
LR4200	735,5	534,0	18682	16182	
LR4500	788,0	562,4	20017	17338	
LR4800	840,6	591,0	21351	18494	

CHARACTERISTICS

Isolator selection

This described isolator selection is based on the vertical load of the isolators, if required seismic and 6 DOF calculations can be performed by our specialists.

1. Determine the total weight of the machine to be isolated, including work load
2. Determine the position of the combined centre of gravity in horizontal and vertical planes
3. Decide the number of isolators and the positions where the isolators are to be placed relative to the combined centre of gravity
4. Calculate the load per isolator
5. Select with the help of the preferential load in the table the suitable type of mounting

We recommend selection of the isolators be made with the load per isolator within + or - 10% of the preferential load. The static deflection of the isolator is calculated by dividing the load per isolator by the stiffness Cz given in the table for the selected isolator.

LR



Rubber Design B.V.
Industrieweg 21
2995BE Heerjansdam
The Netherlands
Phone: +31 (0)78 677 87 78
Fax: +31 (0) 78 677 10 38
Email: info@rubberdesign.nl
Web: www.rubberdesign.nl