



## DOCUMENTATION SHEET

### STAINLESS STEEL

#### Type MP 2 / 3 / 4 / 5

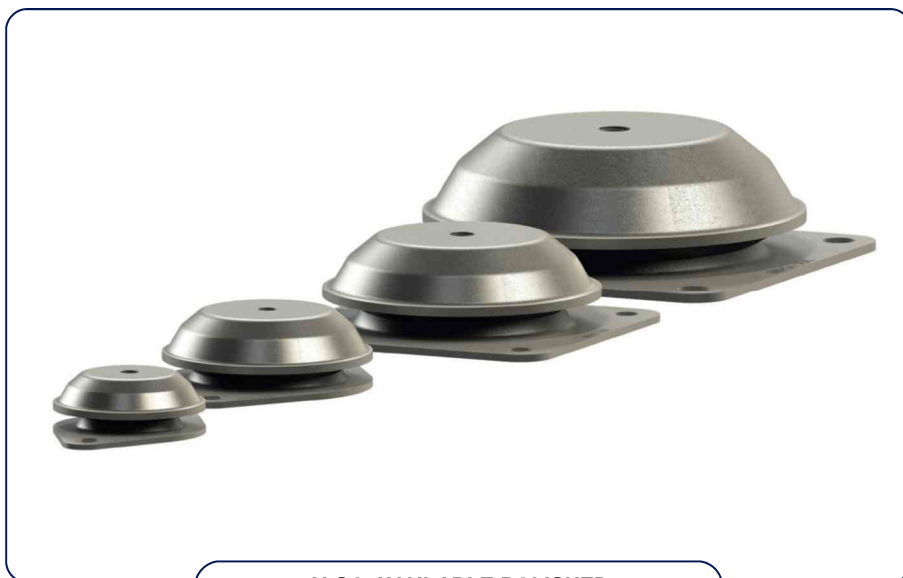
MP 2/3/4/5

### General

The MP (Multi Purpose) anti-vibration mountings are developed to offer excellent passive and active vibration isolation for various applications. Next to offering excellent isolation the MP-mountings internal deflection limiter avoids overload and allows use for mobile applications on in example trucks and on board of ships like luxury yachts. The geometry of the stainless steel top offers protection to the natural rubber against oil and ozone.

We offer these mountings with metal parts in **stainless steel 316L** (material number 1.4404) for corrosive environments or for food and pharmaceutical purposes.

On request, if the environment contains high levels of ozone, the rubber can be treated with a **flexible coating** to protect the rubber and also other rubber mixes are available.



ALSO AVAILABLE POLISHED

### Typical applications:

- Offshore and Marine applications
- Generator sets
- Engines
- Fans
- AC-units
- Cooling equipment
- Cabinets
- Exhaust pipes and components

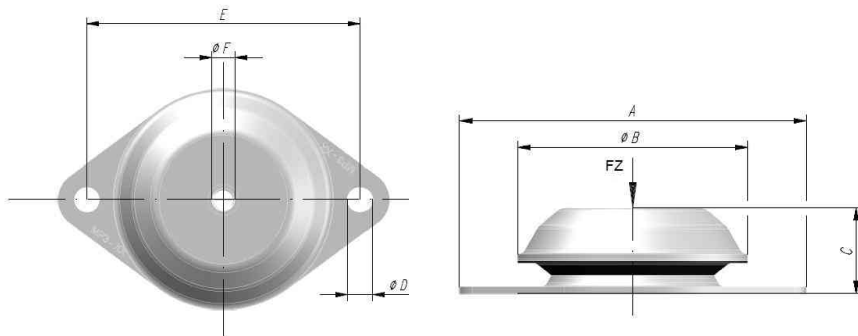


TYPE APPROVALS



	A [mm]	B [mm]	C [mm]	D [mm]	E [mm]	F	Weight [kg]	Fz max [N]	Hardness [°Sh. A]
<b>MP 2</b>	134	82	33	11(2x)	100	M12	0,4	2100	45/55/65
<b>MP 3</b>	170	113	42	13(2x)	140	M12	0,9	5000	45/55/65

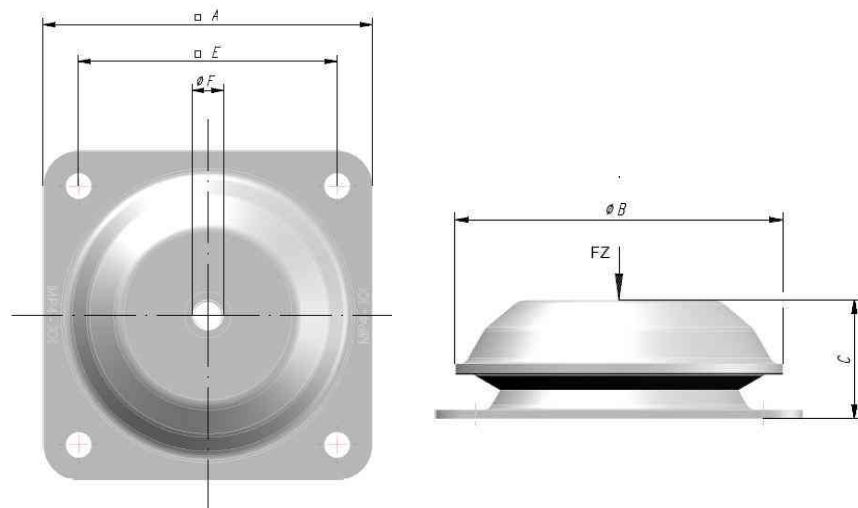
TABLE



DIMENSIONS

	A [mm]	B [mm]	C [mm]	D [mm]	E [mm]	F	Weight [kg]	Fz max [N]	Hardness [°Sh. A]
<b>MP 4</b>	168	150	54	13(4x)	132	M16	2,2	12500	45/55/65
<b>MP 5</b>	220	206	74	18(4x)	180	M20	4,4	46000	45/55/65

TABLE



DIMENSIONS

MP 2/3/4/5

**Rubber Design B.V.**  
 Industrieweg 21  
 2995BE Heerjansdam  
 The Netherlands  
 Phone: +31 (0)78 677 87 78  
 Fax: +31 (0) 78 677 10 38  
 Email: [info@rubberdesign.nl](mailto:info@rubberdesign.nl)  
 Web: [www.rubberdesign.nl](http://www.rubberdesign.nl)