



## DOCUMENTATION

### Steel Spring Isolator SO6X

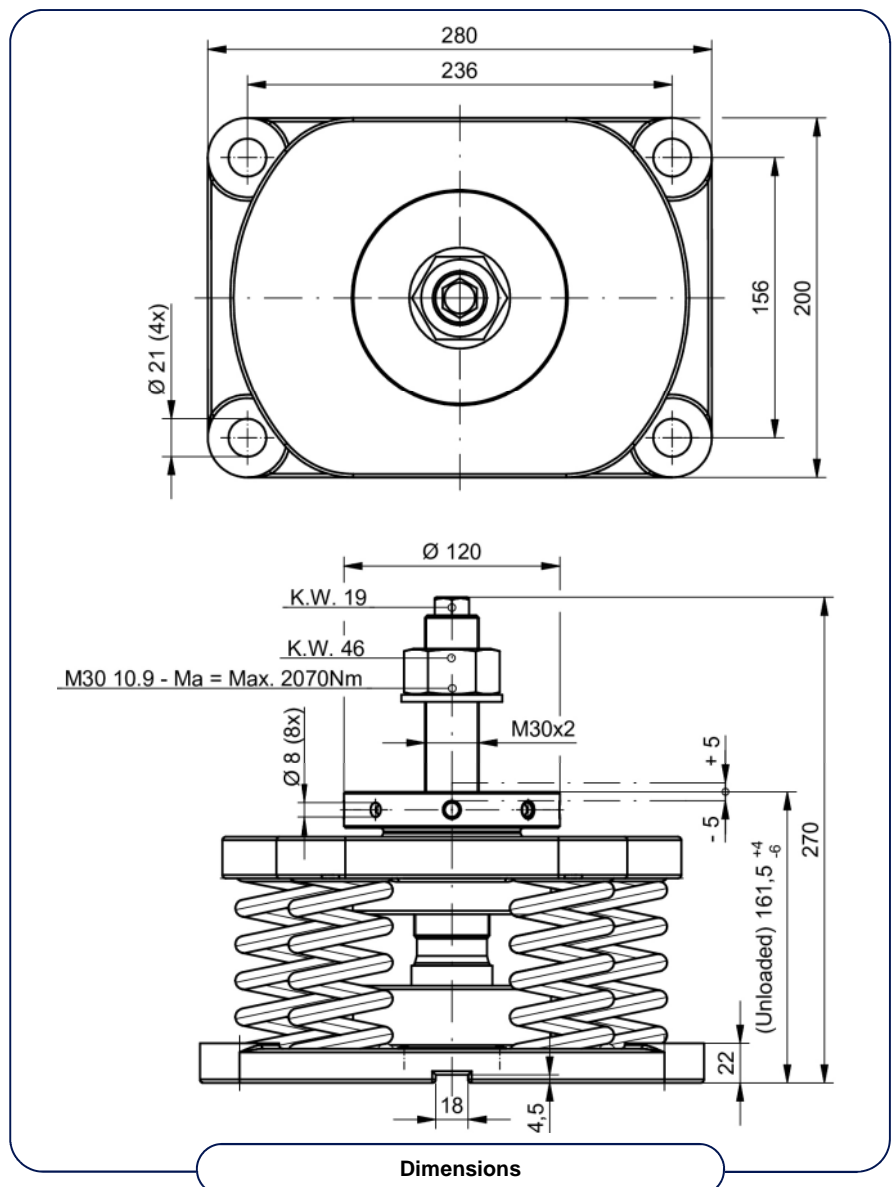
# SO6X

#### General

The type S(eismic) O(pen), are designed for those critical applications where in the event of a seismic impact the installation movements have to be limited to acceptable displacements to avoid that water, gas, oil or electric connections will be damaged. The use of proven technics and materials, will ensure that the installation will stay in full service after the earthquake. Of course the isolators will provide excellent vibration attenuation under normal running conditions. The integrated buffer and height re-adjustment, eases the installation procedure.

#### Applications

- Generator sets
- Emergency power supplies
- DC-AC converters
- Industrial fans
- Air-handling units
- Air-conditioning machines
- Compressor packages
- Electrical equipment
- Refrigerators
- Cooler units





Type	Cz [N/mm]	Cx, y [N/mm] at preferential load	Fz max [N]	Fz preferential [N]
SO6X2100	368,2	258,9	9353	8043
SO6X2400	420,3	295,5	10676	9248
SO6X2700	473,4	346,0	12010	10402
SO6X3000	525,3	396,0	13344	11556
SO6X3300	577,9	432,4	14679	12712
SO6X3600	630,4	385,0	16013	13869
SO6X3900	683,0	505,2	17348	15026
SO6X4200	735,5	534,0	18682	16182
SO6X4500	788,0	562,4	20017	17338
SO6X4800	840,6	591,0	21351	18494
SO6X5800	1360,0	815,0	25804	22279
SO6X6800	1594,0	956,0	30257	26065
SO6X7800	1828,0	1149,0	34710	29850
SO6X11700	2022,6	1023,0	51374	44181

## CHARACTERISTICS

### Isolator selection

This described isolator selection is based on the vertical load of the isolators, if required seismic and 6 DOF calculations can be performed by our specialists.

1. Determine the total weight of the machine to be isolated, including work load
2. Determine the position of the combined centre of gravity in horizontal and vertical planes
3. Decide the number of isolators and the positions where the isolators are to be placed relative to the combined centre of gravity
4. Calculate the load per isolator
5. Select with the help of the preferential load in the table the suitable type of mounting

We recommend selection of the isolators be made with the load per isolator within + or - 10% of the preferential load. The static deflection of the isolator is calculated by dividing the load per isolator by the stiffness Cz given in the table for the selected isolator.

### Rubber Design B.V.

Industrieweg 21  
2995BE Heerjansdam  
The Netherlands  
Phone: +31 (0)78 677 87 78  
Email: [info@rubberdesign.nl](mailto:info@rubberdesign.nl)  
Web: [www.rubberdesign.nl](http://www.rubberdesign.nl)